

Technical Specifications

Symmetra™ LX

230 V



American Power Conversion Legal Disclaimer

The information presented in this manual is not warranted by the American Power Conversion Corporation to be authoritative, error free, or complete. This publication is not meant to be a substitute for a detailed operational and site specific development plan. Therefore, American Power Conversion Corporation assumes no liability for damages, violations of codes, improper installation, system failures, or any other problems that could arise based on the use of this Publication.

The information contained in this Publication is provided as is and has been prepared solely for the purpose of evaluating data center design and construction. This Publication has been compiled in good faith by American Power Conversion Corporation. However, no representation is made or warranty given, either express or implied, as to the completeness or accuracy of the information this Publication contains.

IN NO EVENT SHALL AMERICAN POWER CONVERSION CORPORATION, OR ANY PARENT, AFFILIATE OR SUBSIDIARY COMPANY OF AMERICAN POWER CONVERSION CORPORATION OR THEIR RESPECTIVE OFFICERS, DIRECTORS, OR EMPLOYEES BE LIABLE FOR ANY DIRECT, INDIRECT, CONSEQUENTIAL, PUNITIVE, SPECIAL, OR INCIDENTAL DAMAGES (INCLUDING, WITHOUT LIMITATION, DAMAGES FOR LOSS OF BUSINESS, CONTRACT, REVENUE, DATA, INFORMATION, OR BUSINESS INTERRUPTION) RESULTING FROM, ARISING OUT, OR IN CONNECTION WITH THE USE OF, OR INABILITY TO USE THIS PUBLICATION OR THE CONTENT, EVEN IF AMERICAN POWER CONVERSION CORPORATION HAS BEEN EXPRESSLY ADVISED OF THE POSSIBILITY OF SUCH DAMAGES. AMERICAN POWER CONVERSION CORPORATION RESERVES THE RIGHT TO MAKE CHANGES OR UPDATES WITH RESPECT TO OR IN THE CONTENT OF THE PUBLICATION OR THE FORMAT THEREOF AT ANY TIME WITHOUT NOTICE.

Copyright, intellectual, and all other proprietary rights in the content (including but not limited to software, audio, video, text, and photographs) rests with American Power Conversion Corporation or its licensors. All rights in the content not expressly granted herein are reserved. No rights of any kind are licensed or assigned or shall otherwise pass to persons accessing this information.

This Publication shall not be for resale in whole or in part.

Table of Contents

| | |
|--|-----------|
| Technical Data | 3 |
| Model List..... | 3 |
| Input Power Factor..... | 3 |
| Efficiency..... | 4 |
| Efficiency Curves..... | 4 |
| Batteries and Runtime | 6 |
| Battery Run-Times — APC Battery Solutions..... | 6 |
| Battery Specifications..... | 13 |
| Battery Gassing Rates | 14 |
| Battery Material Safety Data Sheet | 14 |
| Compliance | 15 |
| Facility Planning | 16 |
| Specifications for Installations | 16 |
| AC Input..... | 16 |
| AC Output | 18 |
| Configuration and Management..... | 20 |
| Powerview User Interface | 20 |
| Network Management Card 2 | 20 |
| Remote Emergency Power Off (REPO) | 20 |
| Physical..... | 22 |
| Weights and Dimensions..... | 22 |
| Shipping Weights and Dimensions..... | 23 |
| Environmental | 24 |
| Requirements for Operation and Storage | 24 |
| Heat Dissipation | 24 |
| Drawings | 25 |
| SYA4K8I: Symmetra LX 4 kVA Scalable to 8 kVA N+1 Tower, 230 V | 26 |
| SYA4K8RMI: Symmetra LX 4 kVA Scalable to 8 kVA N+1 Rack-Mount, 230 V | 27 |

| | |
|--|-----------|
| SYA8K16I: Symmetra LX 8 kVA Scalable to 16 kVA N+1 Tower, 230 V | 28 |
| SYA8K16IXR: Symmetra LX 8 kVA Scalable to 16 kVA N+1 Ext. Run Tower, 230 V | 29 |
| SYA8K16RMI: Symmetra LX 8 kVA Scalable to 16 kVA N+1 Rack-Mount, 230 V | 30 |
| SYA8K8I: Symmetra LX 8 kVA Scalable to 8 kVA N+1 Tower, 230 V | 31 |
| SYA8K8RMI: Symmetra LX 8 kVA Scalable to 8 kVA N+1 Rack-Mount, 230 V | 32 |
| SYA12K16I: Symmetra LX 12 kVA Scalable to 16 kVA N+1 Tower, 230 V | 33 |
| SYA12K16IXR: Symmetra LX 12 kVA Scalable to 16 kVA N+1 Ext. Run Tower, 230 V | 34 |
| SYA12K16RMI: Symmetra LX 12 kVA Scalable to 16 kVA N+1 Rack-Mount, 230 V | 35 |
| SYA16K16I: Symmetra LX 16 kVA Scalable to 16 kVA N+1 Tower, 230 V | 36 |
| SYA16K16IXR: Symmetra LX 16 kVA Scalable to 16 kVA N+1 Ext. Run Tower, 230 V | 37 |
| SYA16K16RMI: Symmetra LX 16 kVA Scalable to 16 kVA N+1 Rack-mount, 230 V | 38 |
| Options | 39 |
| Hardware Options | 39 |
| Symmetra Battery Systems | 39 |
| Symmetra Battery Cables | 39 |
| Interface Cables | 39 |
| UPS Network Management Cards | 39 |
| Additional Management Cards and Options..... | 40 |
| Rack-Mounting Hardware..... | 40 |
| Maintenance Bypass Panels | 40 |
| Isolation Transformers..... | 40 |
| Power Distribution Units | 40 |
| Backplates and Panels..... | 41 |
| Rack-mount Transfer Switches | 41 |
| Power Modules for N+1 Redundancy..... | 41 |
| Parts and Accessories..... | 41 |
| Power Cords and Adapters | 41 |
| Software Options..... | 42 |
| Limited Warranty..... | 44 |

Technical Data



Note: Unless otherwise noted, data contained in these technical specifications should be considered typical; actual performance may vary.

Model List

- SYA4K8I: APC™ Symmetra LX 4 kVA scalable to 8 kVA N+1 Tower, 230 V
- SYA4K8RMI: APC Symmetra LX 4 kVA scalable to 8 kVA N+1 Rack-mount, 230 V
- SYA8K16I: APC Symmetra LX 8 kVA scalable to 16 kVA N+1 Tower, 230 V
- SYA8K16IXR: APC Symmetra LX 8 kVA scalable to 16 kVA N+1 Ext. Run Tower, 230 V
- SYA8K16RMI: APC Symmetra LX 8 kVA scalable to 16 kVA N+1 Rack-mount, 230 V
- SYA8K8I: APC Symmetra LX 8 kVA scalable to 8 kVA N+1 Tower, 230 V
- SYA8K8RMI: APC Symmetra LX 8 kVA scalable to 8 kVA N+1 Rack-mount, 230 V
- SYA12K16I: APC Symmetra LX 12 kVA scalable to 16 kVA N+1 Tower, 230 V
- SYA12K16IXR: APC Symmetra LX 12 kVA scalable to 16 kVA N+1 Ext. Run Tower, 230 V
- SYA12K16RMI: APC Symmetra LX 12 kVA scalable to 16 kVA N+1 Rack-mount, 230 V
- SYA16K16I: APC Symmetra LX 16 kVA scalable to 16 kVA N+1 Tower, 230 V
- SYA16K16IXR: APC Symmetra LX 16 kVA scalable to 16 kVA N+1 Ext. Run Tower, 230 V
- SYA16K16RMI: APC Symmetra LX 16 kVA scalable to 16 kVA N+1 Rack-mount, 230 V

Input Power Factor

Following is the input power factor for Symmetra LX models at full load:

- 0.98 @ 1:1 (with the UPS configured for single-phase AC input and output)
- 0.90 @ 3:1 (with the UPS configured for 3-phase input and single-phase output)

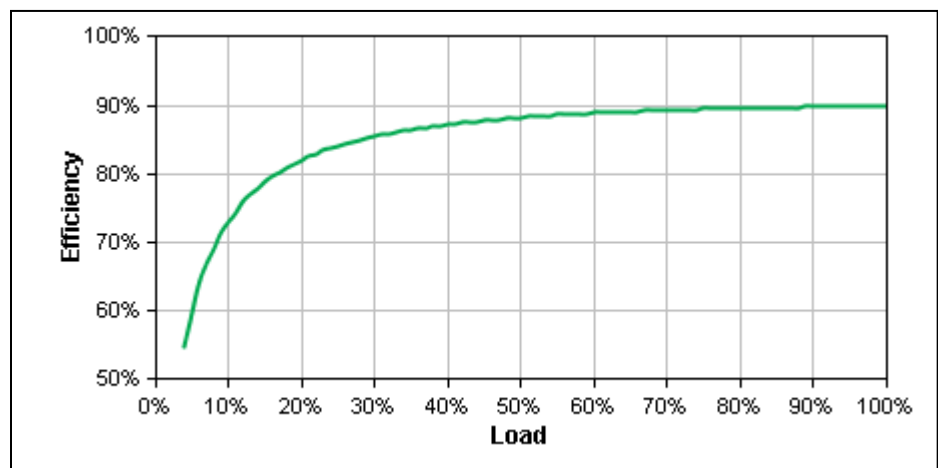
Efficiency

Efficiency Curves

These Symmetra LX models have the efficiency rating shown in the following table and graph:

- SYA4K8I: APC Symmetra LX 4 kVA scalable to 8 kVA N+1 Tower, 230 V
- SYA4K8RMI: APC Symmetra LX 4 kVA scalable to 8 kVA N+1 Rack-mount, 230 V
- SYA8K16I: APC Symmetra LX 8 kVA scalable to 16 kVA N+1 Tower, 230 V
- SYA8K16IXR: APC Symmetra LX 8 kVA scalable to 16 kVA N+1 Ext. Run Tower, 230 V
- SYA8K16RMI: APC Symmetra LX 8 kVA scalable to 16 kVA N+1 Rack-mount, 230 V
- SYA8K8I: APC Symmetra LX 8 kVA scalable to 8 kVA N+1 Tower, 230 V
- SYA8K8RMI: APC Symmetra LX 8 kVA scalable to 8 kVA N+1 Rack-mount, 230 V

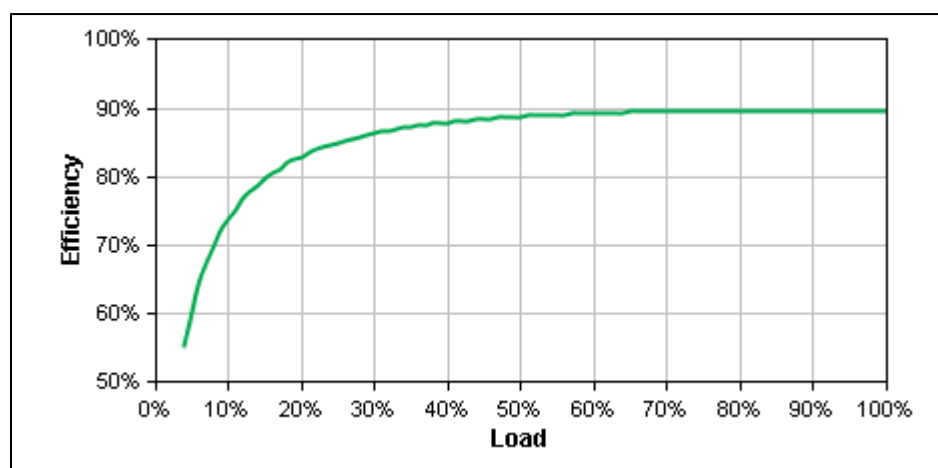
| Load | Efficiency |
|------|------------|
| 25% | 84.1% |
| 50% | 88.3% |
| 75% | 89.5% |
| 100% | 89.9% |



These Symmetra LX models have the efficiency rating shown in the following table and graph:

- SYA12K16I: APC Symmetra LX 12 kVA scalable to 16 kVA N+1 Tower, 230 V
- SYA12K16IXR: APC Symmetra LX 12 kVA scalable to 16 kVA N+1 Ext. Run Tower, 230 V
- SYA12K16RMI: APC Symmetra LX 12 kVA scalable to 16 kVA N+1 Rack-mount, 230 V

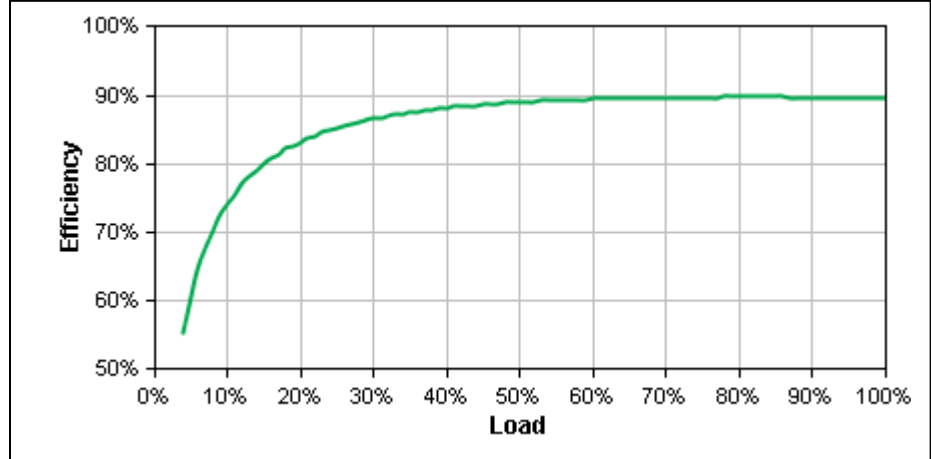
| Load | Efficiency |
|------|------------|
| 25% | 85.0% |
| 50% | 88.9% |
| 75% | 89.7% |
| 100% | 89.7% |



These Symmetra LX models have the efficiency rating shown in the following table and graph:

- SYA16K16I: APC Symmetra LX 16 kVA scalable to 16 kVA N+1 Tower, 230 V
- SYA16K16IXR: APC Symmetra LX 16 kVA scalable to 16 kVA N+1 Ext. Run Tower, 230 V
- SYA16K16RMI: APC Symmetra LX 16 kVA scalable to 16 kVA N+1 Rack-mount, 230 V

| Load | Efficiency |
|-------------|-------------------|
| 25% | 85.3% |
| 50% | 89.0% |
| 75% | 89.8% |
| 100% | 89.7% |

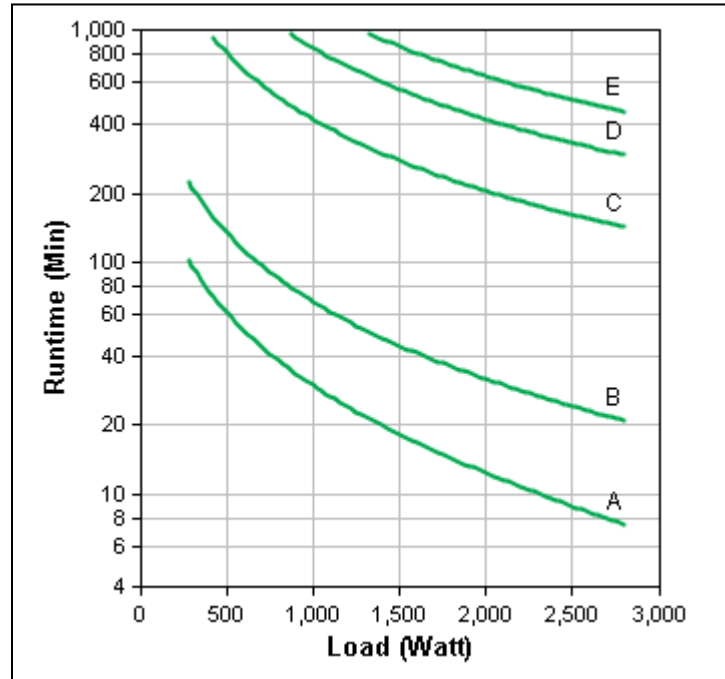


Batteries and Runtime

Battery Run-Times — APC Battery Solutions

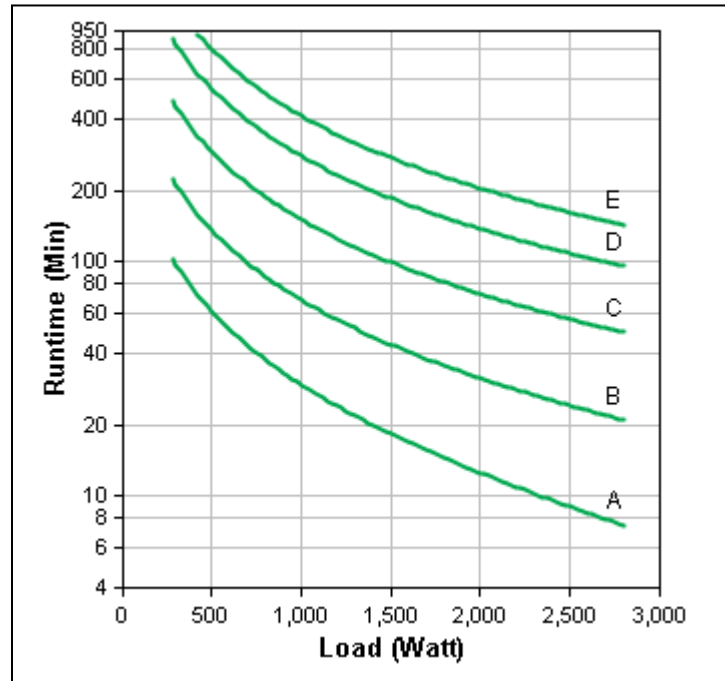
SYA4K8I: APC Symmetra LX 4 kVA scalable to 8 kVA N+1 Tower, 230 V Battery Run-Times (minutes):

| Curve | Part number(s) |
|-------|---------------------------|
| A | SYA4K8I |
| B | SYA4K8I + (1)SYBT5 |
| C | SYA4K8I + (1)SYAXR9B9I |
| D | SYA4K8I + (2)SYAXR9B9I |
| E | SYA4K8I + (3)SYAXR9B9I |



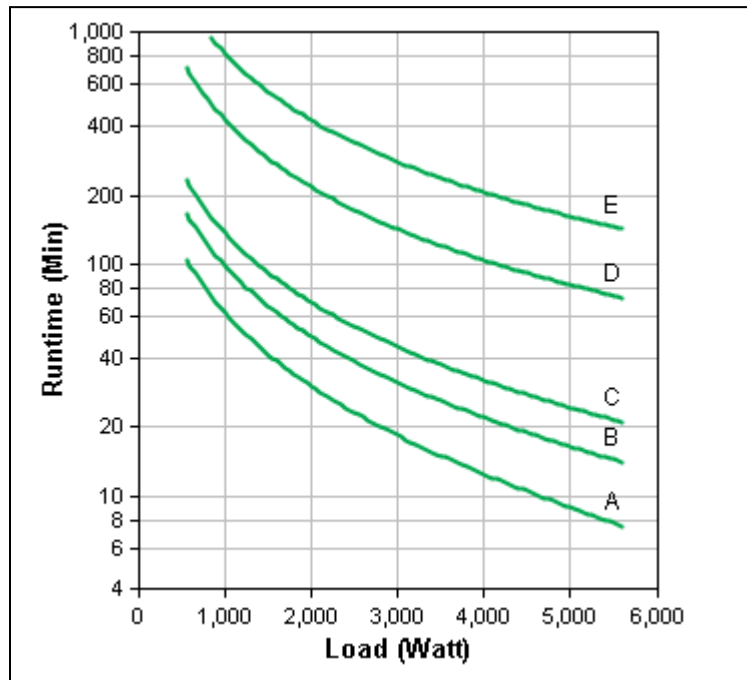
SYA4K8RMI: APC Symmetra LX 4 kVA scalable to 8 kVA N+1 Rack-mount, 230 V Battery Run-Times (minutes):

| Curve | Part number(s) |
|-------|------------------------------|
| A | SYA4K8RMI |
| B | SYA4K8RMI + (1)SYBT5 |
| C | SYA4K8RMI +(1)SYARMXR3B3I |
| D | SYA4K8RMI +(2)SYARMXR3B3I |
| E | SYA4K8RMI +(1)SYARMXR9B9I |



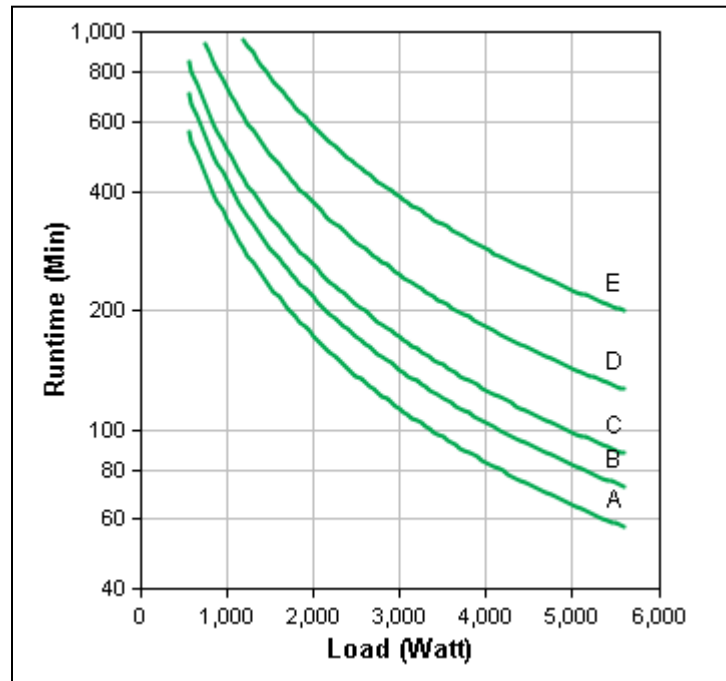
SYA8K16I: APC Symmetra LX 8 kVA scalable to 16 kVA N+1 Tower, 230 V Battery Run-Times (minutes):

| Curve | Part number(s) |
|-------|----------------------------|
| A | SYA8K16I |
| B | SYA8K16I + (1)SYBT5 |
| C | SYA8K16I + (2)SYBT5 |
| D | SYA8K16I + (1)SYAXR9B9I |
| E | SYA8K16I + (2)SYAXR9B9I |



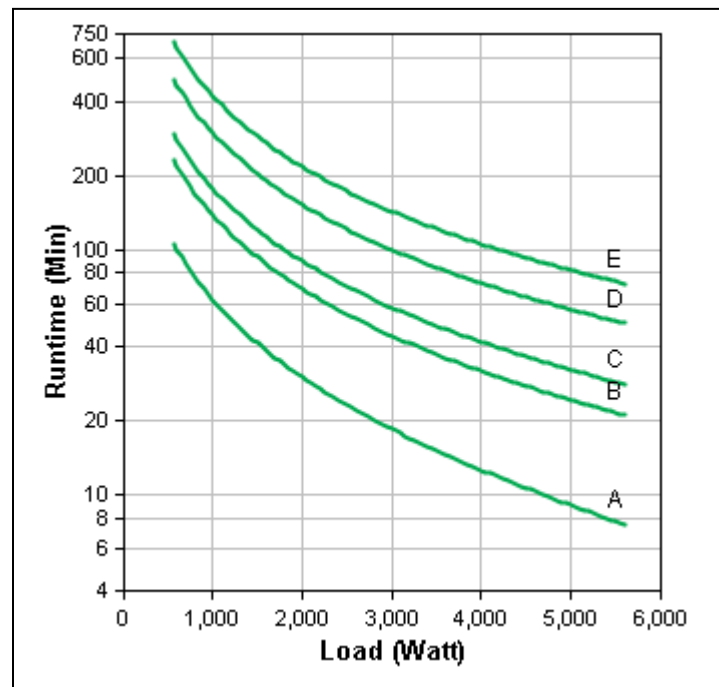
SYA8K16IXR: APC Symmetra LX 8 kVA scalable to 16 kVA N+1 Ext. Run Tower, 230 V Battery Run-Times (minutes):

| Curve | Part number(s) |
|-------|------------------------------|
| A | SYA8K16IXR |
| B | SYA8K16IXR + (2)SYBT5 |
| C | SYA8K16IXR + (4)SYBT5 |
| D | SYA8K16IXR + (1)SYAXR9B9I |
| E | SYA8K16IXR + (2)SYAXR9B9I |



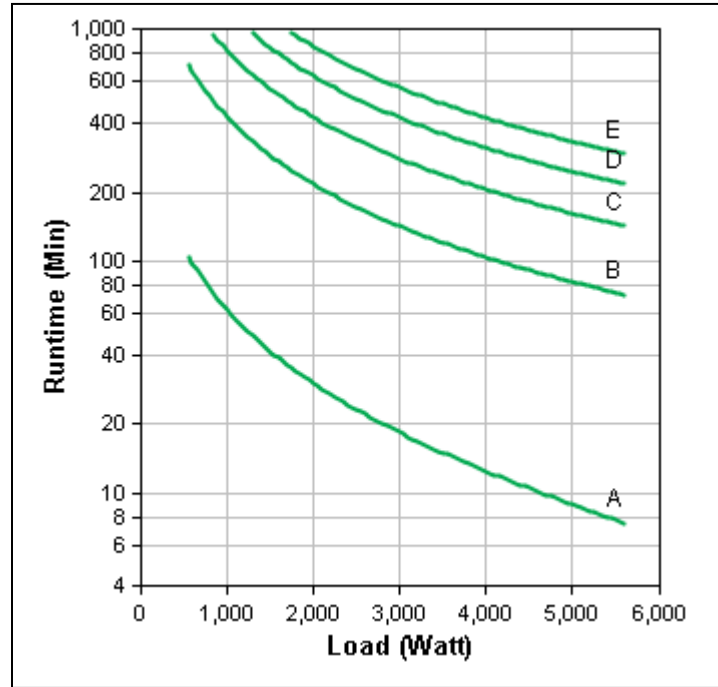
SYA8K16RMI: APC Symmetra LX 8 kVA scalable to 16 kVA N+1 Rack-mount, 230 V Battery Run-Times (minutes):

| Curve | Part number(s) |
|-------|--------------------------------|
| A | SYA8K16RMI |
| B | SYA8K16RMI + (2)SYBT5 |
| C | SYA8K16RMI + (1)SYARMXR3B3I |
| D | SYA8K16RMI + (2)SYARMXR3B3I |
| E | SYA8K16RMI + (1)SYARMXR9B9I |



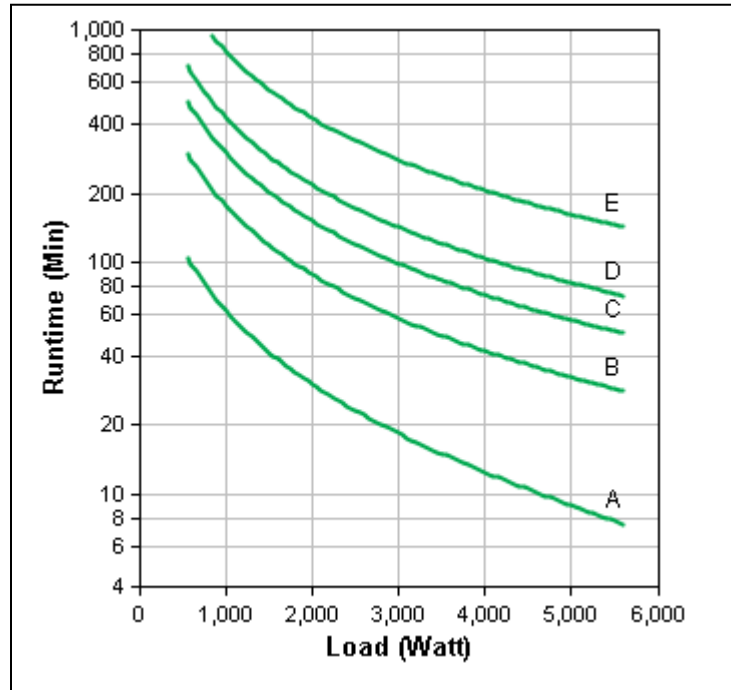
SYA8K8I: APC Symmetra LX 8 kVA scalable to 8 kVA N+1 Tower, 230 V Battery Run-Times (minutes):

| Curve | Part number(s) |
|-------|---------------------------|
| A | SYA8K8I |
| B | SYA8K8I + (1)SYAXR9B9I |
| C | SYA8K8I + (2)SYAXR9B9I |
| D | SYA8K8I + (3)SYAXR9B9I |
| E | SYA8K8I + (4)SYAXR9B9I |



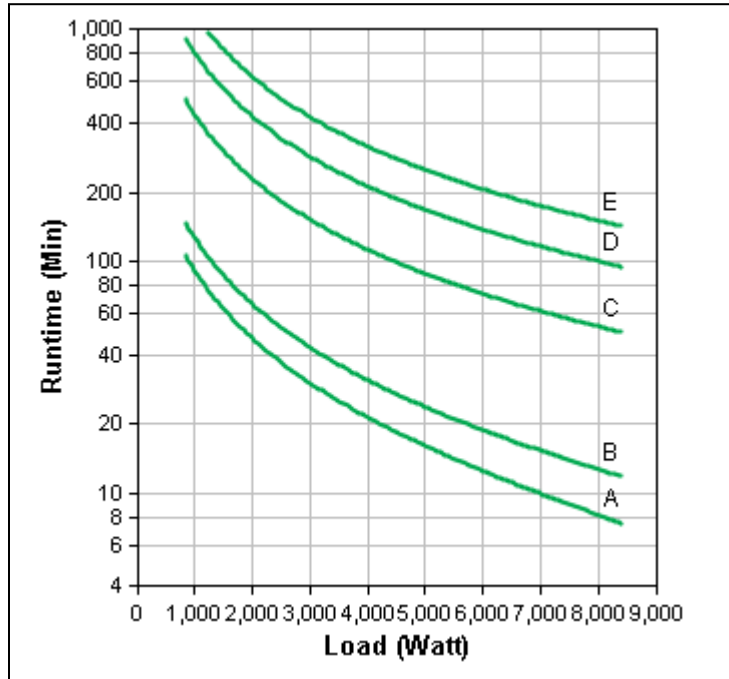
SYA8K8RMI: APC Symmetra LX 8 kVA scalable to 8 kVA N+1 Rack-mount, 230 V Battery Run-Times (minutes):

| Curve | Part number(s) |
|-------|-------------------------------|
| A | SYA8K8RMI |
| B | SYA8K8RMI + (1)SYARMXR3B3I |
| C | SYA8K8RMI + (2)SYARMXR3B3I |
| D | SYA8K8RMI + (1)SYARMXR9B9I |
| E | SYA8K8RMI + (2)SYARMXR9BI |



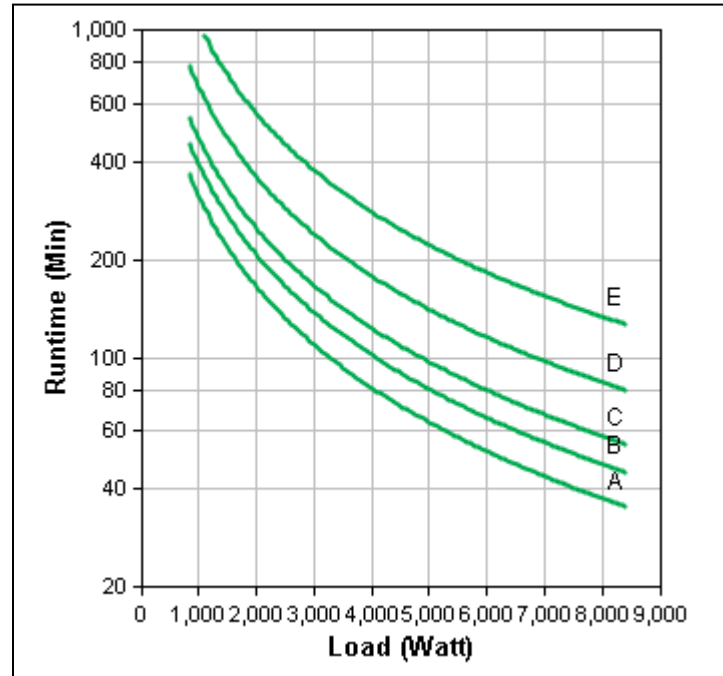
SYA12K16I: APC Symmetra LX 12 kVA scalable to 16 kVA N+1 Tower, 230 V Battery Run-Times (minutes):

| Curve | Part number(s) |
|-------|------------------------------|
| A | SYA12K16I |
| B | SYA12K16I + (1)SYBT5 |
| C | SYA12K16 I + (1)SYAXR9B9I |
| D | SYA12K16 I + (2)SYAXR9B9I |
| E | SYA12K16 I + (3)SYAXR9B9I |



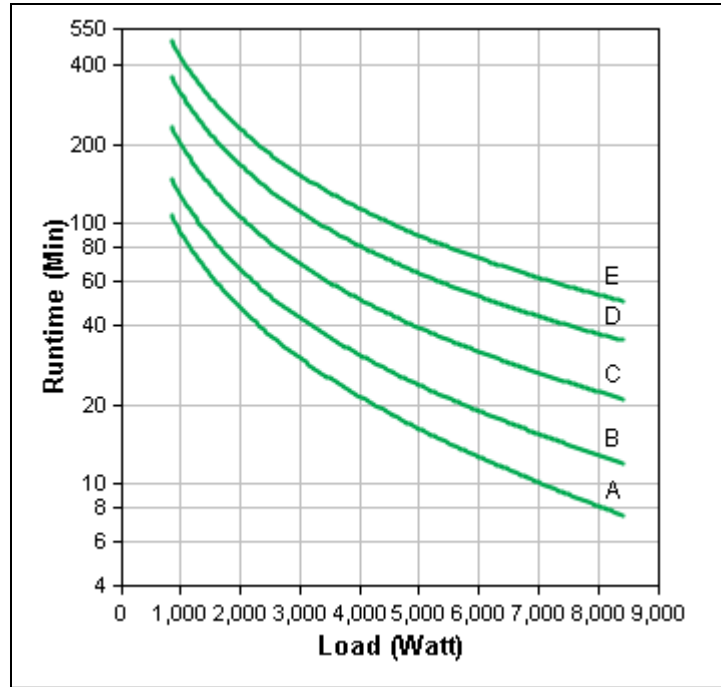
SYA12K16IXR: APC Symmetra LX 12 kVA scalable to 16 kVA N+1 Ext. Run Tower, 230 V Battery Run-Times (minutes):

| Curve | Part number(s) |
|-------|-------------------------------|
| A | SYA12K16IXR |
| B | SYA12K16IXR + (2)SYBT5 |
| C | SYA12K16IXR + (4)SYBT5 |
| D | SYA12K16IXR + (1)SYAXR9B9I |
| E | SYA12K16IXR + (2)SYAXR9B9I |



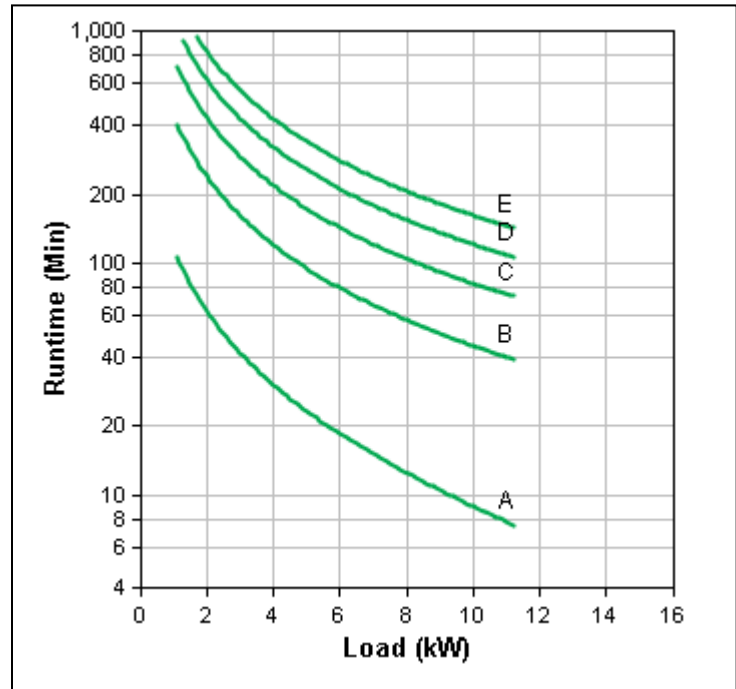
SYA12K16RMI: APC Symmetra LX 12 kVA scalable to 16 kVA N+1 Rack-mount, 230 V Battery Run-Times (minutes):

| Curve | Part number(s) |
|-------|---------------------------------|
| A | SYA12K16RMI |
| B | SYA12K16RMI + (1)SYBT5 |
| C | SYA12K16RMI + (1)SYARMXR3B3I |
| D | SYA12K16RMI + (2)SYARMXR3B3I |
| E | SYA12K16RMI + (1)SYARMXR9B9I |



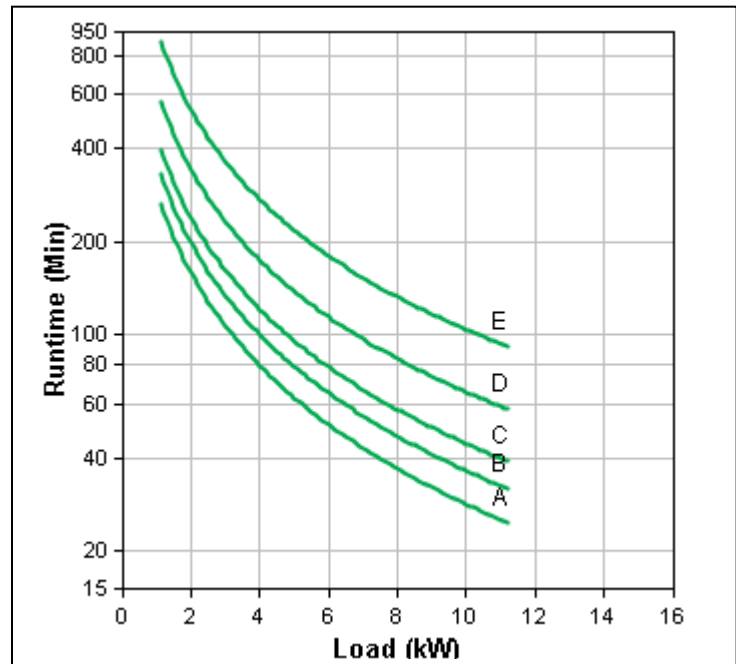
SYA16K16I: APC Symmetra LX 16 kVA scalable to 16 kVA N+1 Tower, 230 V Battery Run-Times (minutes):

| Curve | Part number(s) |
|-------|------------------------------|
| A | SYA16K16I |
| B | SYA16K16I + (1)SYAXR9B9I |
| C | SYA16K16 I + (2)SYAXR9B9I |
| D | SYA16K16 I + (3)SYAXR9B9I |
| E | SYA16K16 I + (4)SYAXR9B9I |



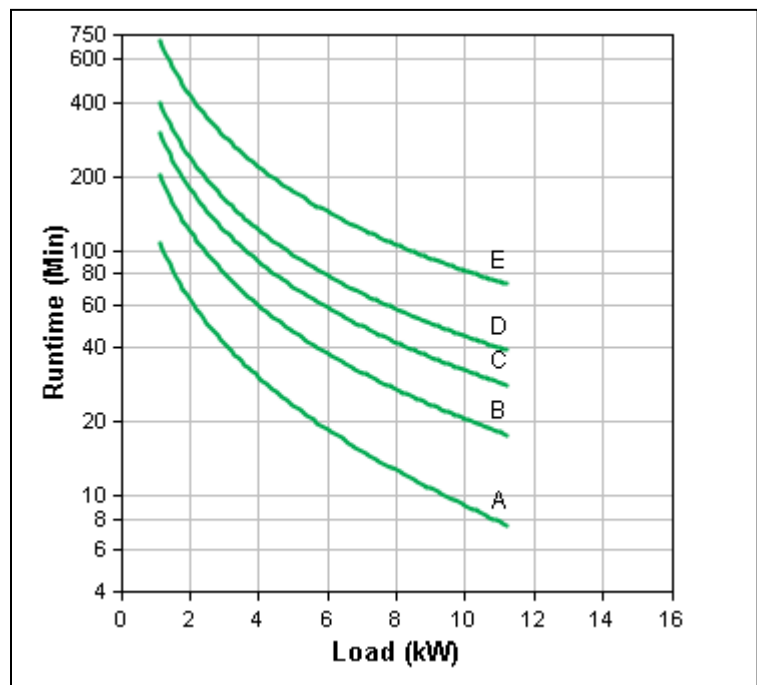
SYA16K16IXR: APC Symmetra LX 16 kVA scalable to 16 kVA N+1 Ext. Run Tower, 230 V Battery Run-Times (minutes):

| Curve | Part number(s) |
|-------|-------------------------------|
| A | SYA16K16IXR |
| B | SYA16K16IXR + (2)SYBT5 |
| C | SYA16K16IXR + (4)SYBT5 |
| D | SYA16K16IXR + (1)SYAXR9B9I |
| E | SYA16K16IXR + (2)SYAXR9B9I |



SYA16K16RMI: APC Symmetra LX 16 kVA scalable to 16 kVA N+1 Rack-mount, 230 V Battery Run-Times (minutes):

| Curve | Part number(s) |
|-------|---------------------------------|
| A | SYA16K16RMI |
| B | SYA16K16RMI + (1)SYARMXR3B3I |
| C | SYA16K16RMI + (2)SYARMXR3B3I |
| D | SYA16K16RMI + (1)SYARMXR9B9I |
| E | SYA16K16RMI + (2)SYARMXR9B9I |



Battery Specifications

| Symmetra LX Model | 16 kVA Extended Run Tower | 16 kVA Tower | 8 kVA Tower | 16 kVA Rack-mount | 8 kVA Rack-mount |
|--|--|--------------|-------------|-------------------|------------------|
| SKU | SYA16K16IXR | SYA16K16I | SYA8K8I | SYA16K16RMI | SYA8K8RMI |
| Type | Maintenance-free, valve-regulated lead-acid battery with suspended electrolyte, leak-proof | | | | |
| Battery Module SKU | SYBT5 (or optional SYBT5FR with flame-retardant case) | | | | |
| Hot Swappable | Yes | | | | |
| User-Replaceable | Yes | | | | |
| Battery Voltage, Vdc | 100 - 147 Vdc (120 Vdc nominal) | | | | |
| Battery Amp-Hour Capacity | 9.0 Ah | | | | |
| Battery Charge Power Rating | 300 W per installed Power Module | | | | |
| Minimum Input Voltage to Charge | 124 Vac L-N | | | | |
| Recharge Time 0% to 90% ¹ | 7.5 hours | 3 hours | | | |
| Automatic Self-Test | At turn-on, every 7 days, or every 14 days (user-selectable) | | | | |
| Intelligent Battery Management | Yes | | | | |
| Typical Battery Life | 3 to 6 years | | | | |
| Extended Runtime Option | Yes | | | | |
| External Extended Run Frames | 6 maximum | 7 maximum | | | |
| ¹ Systems configured with external extended run (XR) battery frames have longer recharge times. | | | | | |

Battery Gassing Rates



Note: We recommend that room ventilation is based on maximum values.

| Gassing Rates per Hour for a Single SYBT5 Battery Module | |
|--|--------------------|
| Typical | Maximum |
| 10.3 cm ³ | 18 cm ³ |

Battery Material Safety Data Sheet



Note: For Material Safety Data Sheet (MSDS), go to
http://nam-en.apc.com/app/answers/detail/a_id/564/kw/msds.


Compliance

| | |
|----------------------|--|
| Regulatory Approvals | C-tick, CE, EN 50091-1, EN 50091-2, EN 55022 Class A, EN 55024, EN 60950, GOST, IEC 60950, VDE |
|----------------------|--|

Facility Planning


Specifications for Installations

AC Input

| Input Connections: Tower and Rack-Mount UPS | | | | |
|---|--|--|--------------------------------------|--|
| Maximum Load | Method | Voltage (Vac) | Circuit Breaker Rating (Recommended) | Connection |
| 8 kVA | Hardwired (Standard on tower and rack-mount) | 1-phase: 220 or 230 or 240 3-phase: 380 or 400 or 415 | 50 A | <ul style="list-style-type: none"> External circuit breaker #6 AWG (16mm²) Torque to 40 in-lb (4.5 N-m) 1-phase: 3-Wire (L1-N-G)* 3-phase: 5-wire (L1-L2-L3-N-G)* |
| 16 kVA | Hardwired (Standard on tower and rack-mount) | 1-phase: 220 or 230 or 240 3-phase: 380 or 400 or 415 | 100 A | <ul style="list-style-type: none"> External circuit breaker #3 AWG (25 mm²) Torque to 40 in-lb (4.5 N-m) 1-phase: 3-Wire (L1-N-G)* 3-phase: 5-wire (L1-L2-L3-N-G)* |
| * Wire connection "G" represents protective earth ground.  | | | | |

| Input Specifications: 220/230/240 V or 380/400/415 V UPS | | | | | |
|---|--|--------------------------|--------------------------|--------------------------|--------------------------|
| Symmetra LX Model | 16 kVA Extended Run Tower | 16 kVA Tower | 8 kVA Tower | 16 kVA Rack-Mount | 8 kVA Rack-Mount |
| SKU | SYA16K16IXR | SYA16K16I | SYA8K8I | SYA16K16RMI | SYA8K8RMI |
| Input Power (full load, Charging batteries) | 14.6 kW | 14.6 kW | 7.5 kW | 14.6 kW | 7.5 kW |
| Input Power (full load, Batteries fully charged) | 13 kW | 13 kW | 6.6 kW | 13 kW | 6.6 kW |
| Nominal Input Voltage¹ | 220/230/240 Vac 1:1 or 380/400/415 Vac 3:1 | | | | |
| Input Voltage Range @ full load | 155-276 Vac rms L-N | | | | |
| Normal Input Current on any phase (nominal mains, battery discharged)¹ | 68 A @ 1:1 or 25 A @ 3:1 | 68 A @ 1:1 or 25 A @ 3:1 | 35 A @ 1:1 or 13 A @ 3:1 | 68 A @ 1:1 or 25 A @ 3:1 | 35 A @ 1:1 or 13 A @ 3:1 |
| Normal Input Current on any phase (nominal mains, battery charged)¹ | 61 A @ 1:1 or 22 A @ 3:1 | 61 A @ 1:1 or 22 A @ 3:1 | 31 A @ 1:1 or 12 A @ 3:1 | 61 A @ 1:1 or 22 A @ 3:1 | 31 A @ 1:1 or 12 A @ 3:1 |
| Maximum Input Current on any phase (low mains, battery discharged)¹ | 85 A @ 1:1 or 31 A @ 3:1 | 85 A @ 1:1 or 31 A @ 3:1 | 44 A @ 1:1 or 17 A @ 3:1 | 85 A @ 1:1 or 31 A @ 3:1 | 44 A @ 1:1 or 17 A @ 3:1 |
| Input overcurrent protection | 100 A resettable breaker | 100 A resettable breaker | 50 A resettable breaker | 100 A resettable breaker | 50 A resettable breaker |
| Maximum Input leakage current | 5% input current rating | | | | |
| Input Power Factor¹ | 0.98 @ 1:1 or 0.90 @ 3:1 at full load. | | | | |
| Input Power Factor Correction | Yes | | | | |
| Input Frequency | 45 - 65 Hz | | | | |
| ¹ The notation 1:1 refers to a UPS configured for single-phase AC input and output, and the notation 3:1 refers to a UPS configured for 3-phase input and single-phase output. | | | | | |

AC Output

| Output Connections: Tower and Rack-Mount UPS | | | | |
|---|--|-----------------|--------------------------------------|--|
| Maximum Load | Method | Voltage (Vac) | Circuit Breaker Rating (Recommended) | Connection |
| 8 kVA | Hardwired (Standard on tower and rack-mount) | 220, 230 or 240 | 50 A | <ul style="list-style-type: none"> External circuit breaker #6 AWG (16 mm²) Torque to 40 in-lb (4.5 N-m) 1-phase: 3-Wire (L1-N-G)* |
| | Output sockets (Standard on rack-mount) | 220, 230 or 240 | | <ul style="list-style-type: none"> 6 (IEC 320 C19) sockets with 6 (15 A, 250 V) circuit breakers 8 (IEC 320 C13) sockets with 2 (10 A, 250 V) circuit breakers |
| 16 kVA | Hardwired (Standard on tower and rack-mount) | 220, 230 or 240 | 100 A | <ul style="list-style-type: none"> External circuit breaker #3 AWG (25 mm²) Torque to 40 in-lb (4.5 N-m) 1-phase: 3-Wire (L1-N-G)* |
| | Output sockets (Standard on rack-mount) | 220, 230 or 240 | | <ul style="list-style-type: none"> 10 (IEC 320 C19) sockets with 10 (15 A, 250 V) circuit breakers 8 (IEC 320 C13) sockets with 2 (10 A, 250 V) circuit breakers |
| * Wire connection “G” represents protective earth ground.  | | | | |

| Output Specifications: 230 V UPS | | | | | |
|---|---|---------------------|--------------------|--------------------------|-------------------------|
| Symmetra LX Model | 16 kVA Extended Run Tower | 16 kVA Tower | 8 kVA Tower | 16 kVA Rack-Mount | 8 kVA Rack-Mount |
| SKU | SYA16K16IXR | SYA16K16I | SYA8K8I | SYA16K16RMI | SYA8K8RMI |
| Maximum Power, Watts | 11.2 kW | 11.2 kW | 5.6 kW | 11.2 kW | 5.6 kW |
| Maximum Power, VA | 16 kVA | 16 kVA | 8 kVA | 16 kVA | 8 kVA |
| Output Power Overload (Watts or VA) | <105% indefinitely; 130% indefinitely when configured for N+1; >105% for 4 seconds | | | | |
| Load Power Factor Range (Lagging) | 0.5 to 1.0 | | | | |
| Nominal Output Voltages, Vac | User-selectable 220, 230 or 240 Vac L-N | | | | |
| Static Voltage Regulation | ±3% of nominal | | | | |
| Dynamic Load Response | ±5% of nominal and 60 ms recovery time at step loads 0% to 100% or 100% to 0%. | | | | |
| Output current (A), RMS: Full Load – normal | 73 | 73 | 36 | 73 | 36 |
| Waveform | Sinewave | | | | |
| Output Voltage THD, computer load | Less than 5% at full load | | | | |
| Output Voltage THD, resistive load | Less than 2% at full load | | | | |
| Load Crest Factor | up to 5 : 1 | | | | |
| Output Frequency On-Line (synchronized to mains if possible) | 50 +/-3.0 Hz and 60 +/- 3.0 Hz auto sense 60 +/- 0.1Hz 50 +/- 0.1Hz 60 +/- 3.0Hz 50 +/- 3.0Hz | | | | |
| Max Output Frequency Slew Rate | 5 Hz/second | | | | |
| Output Frequency On Battery | 50 or 60Hz | | | | |
| Output Frequency In Bypass | 45 - 65 Hz (can be restricted to 47-53 or 57-63 Hz windows) | | | | |

Configuration and Management

Powerview User Interface

The Powerview user interface enables local monitoring, control, and configuration of a Symmetra LX UPS and Extended Run Cabinet.

See the *Symmetra LX Operations Guide* for an overview of operations and a detailed explanation of how to use the Powerview user interface.

To obtain the latest version of the documentation:

1. Go to <http://www.apc.com/site/products/index.cfm>.
2. Click on **Uninterruptible Power Supply (UPS)**.
3. Under the **Network and Server** category, click on **Symmetra**.
4. On the Symmetra products page, click on a Symmetra LX model name.
5. Download the *Operations Guide* from the **Documentation** tab.

Network Management Card 2

Symmetra LX models have the Network Management Card 2 with Environmental Monitoring pre-installed. This management card enables you to monitor and control an individual UPS remotely over your network.

See the *User's Guide, UPS Network Management Card 2, AP9630, AP9631* for information on how to use this management card. To obtain the latest version of this documentation:

1. Go to <http://www.apc.com/site/products/index.cfm>.
2. Click on **Uninterruptible Power Supply (UPS)**.
3. Under the **Network and Server** category, click on **Symmetra**.
4. On the Symmetra products page, click on a Symmetra LX model name.
5. Click on the **Software & Firmware** tab.
6. Under **Network Management Card**, find the listing for the latest **Network Management Card Firmware for Symmetra with AP9630/31**.
7. Click on the **Manuals** link in that listing.
8. Download the *User's Guide*.

Remote Emergency Power Off (REPO)

All Symmetra LX models include a Remote Emergency Power Off (REPO) function.

- The output power can be disabled in an emergency by closing a switch connected to the REPO circuit, which shuts down the UPS and its load. You must manually reset the system enable switch on the front of the UPS to restart the unit.
- The REPO function can be initiated by an externally provided isolated dry contact (REPO).
- The REPO function is activated by the closure of a contact.

You can install the REPO switch in one of two ways:

- Use an external switch contact, and connect the REPO switch with the pre-installed jumper.
- Use a switch contact and a 24 V power supply external to the UPS. (Remove the jumper and connect the REPO switch.)



Note: In many locations, the Remote Emergency Power Off (REPO) switch must be installed by a licensed electrician. Refer to local and national codes.

To obtain the latest version of documentation pertaining to the REPO:

1. Go to <http://www.apc.com/site/products/index.cfm>.
2. Click on **Uninterruptible Power Supply (UPS)**.
3. Under the **Network and Server** category, click on Symmetra.
4. On the Symmetra products page, click on a Symmetra LX model name.
5. Download the following documentation from the **Documentation** tab:
 - a. See the *Symmetra LX Safety and General Information Guide* for REPO requirements and detailed safety instructions.
 - b. See the *Symmetra LX Electrical Installation* manual for complete installation instructions for the REPO.

Physical

Weights and Dimensions

| SKU | UPS Cabinet | Weight in kg | Height in mm | Width in mm | Depth in mm |
|-------------|--|--------------|---------------------------|-------------|-------------|
| SYA4K8I | 4 kVA scalable to 8 kVA N+1 Tower | 157.7 | 671 | 483 | 726 |
| SYA4K8RMI | 4 kVA scalable to 8 kVA N+1 Rack-mount | 134.1 | 572 (Rack Height 13 U) | 472 | 688 |
| SYA8K16I | 8 kVA scalable to 16 kVA N+1, Tower | 219.6 | 937 | 483 | 726 |
| SYA8K16IXR | 8 kVA scalable to 16 kVA N+1 Ext. Run Tower | 473.7 | 1516 | 483 | 726 |
| SYA8K16RMI | 8 kVA scalable to 16 kVA N+1 Rack-mount | 198.7 | 836 (Rack Height 19 U) | 472 | 688 |
| SYA8K8I | 8 kVA scalable to 8 kVA N+1 Tower | 201.9 | 671 | 483 | 726 |
| SYA8K8RMI | 8 kVA scalable to 8 kVA N+1 Rack-mount | 178.2 | 572 (Rack Height 13 U) | 472 | 688 |
| SYA12K16I | 12 kVA scalable to 16 kVA N+1 Tower | 263.7 | 937 | 483 | 726 |
| SYA12K16IXR | 12 kVA Scalable to 16 kVA N+1 Ext. Run Tower | 488.7 | 1516 | 483 | 726 |
| SYA12K16RMI | 12 kVA Scalable to 16 kVA N+1 Rack-mount | 242.7 | 836 (Rack Height 19 U) | 472 | 688 |
| SYA16K16I | 16 kVA Scalable to 16 kVA N+1 Tower | 307.7 | 937 | 483 | 726 |
| SYA16K16IXR | 16 kVA Scalable to 16 kVA N+1 Ext. Run Tower | 503.6 | 1516 | 483 | 726 |
| SYA16K16RMI | 16 kVA Scalable to 16 kVA N+1 Rack-mount | 286.9 | 836 (Rack Height 19 U) | 472 | 688 |

Shipping Weights and Dimensions

| SKU | UPS Cabinet | Weight in kg | Height in mm | Width in mm | Depth in mm |
|-------------|--|--------------|--------------|-------------|-------------|
| SYA4K8I | 4 kVA scalable to 8 kVA N+1 Tower | 179.1 | 914 | 599 | 997 |
| SYA4K8RMI | 4 kVA scalable to 8 kVA N+1 Rack-mount | 166.4 | 787 | 599 | 997 |
| SYA8K16I | 8 kVA scalable to 16 kVA N+1, Tower | 236.8 | 1181 | 599 | 997 |
| SYA8K16IXR | 8 kVA scalable to 16 kVA N+1 Ext. Run Tower | 505.3 | 1880 | 599 | 997 |
| SYA8K16RMI | 8 kVA scalable to 16 kVA N+1 Rack-mount | 239.6 | 1054 | 599 | 997 |
| SYA8K8I | 8 kVA scalable to 8 kVA N+1 Tower | 229.6 | 914 | 599 | 997 |
| SYA8K8RMI | 8 kVA scalable to 8 kVA N+1 Rack-mount | 216.8 | 787 | 599 | 997 |
| SYA12K16I | 12 kVA scalable to 16 kVA N+1 Tower | 287.3 | 1181 | 599 | 997 |
| SYA12K16IXR | 12 kVA Scalable to 16 kVA N+1 Ext. Run Tower | 520.5 | 1880 | 599 | 997 |
| SYA12K16RMI | 12 kVA Scalable to 16 kVA N+1 Rack-mount | 290.0 | 1054 | 599 | 997 |
| SYA16K16I | 16 kVA Scalable to 16 kVA N+1 Tower | 337.8 | 1181 | 599 | 997 |
| SYA16K16IXR | 16 kVA Scalable to 16 kVA N+1 Ext. Run Tower | 535.5 | 1880 | 599 | 997 |
| SYA16K16RMI | 16 kVA Scalable to 16 kVA N+1 Rack-mount | 340.5 | 1054 | 599 | 997 |

Environmental

Requirements for Operation and Storage

| | |
|---|------------------|
| Operating Environment | 0 to 40 °C |
| Operating Relative Humidity | 0 to 95% |
| Operating Elevation | 0 to 3000 meters |
| Storage Temperature | -15 to 45 °C |
| Storage Relative Humidity | 0 to 95% |
| Storage Elevation | 0 to 4500 meters |
| Audible noise at 1 meter from surface of unit | 62 dBA |

Heat Dissipation

| Online Thermal Dissipation | | |
|----------------------------|---|---------------|
| SKU | APC Symmetra Model | BTUs per hour |
| SYA4K8I | APC Symmetra LX 4 kVA scalable to 8 kVA N+1 Tower, 230 V | 2762 |
| SYA4K8RMI | APC Symmetra LX 4 kVA scalable to 8 kVA N+1 Rack-mount, 230 V | 2762 |
| SYA8K16I | APC Symmetra LX 8 kVA scalable to 16 kVA N+1 Tower, 230 V | 3707 |
| SYA8K16IXR | APC Symmetra LX 8 kVA scalable to 16 kVA N+1 Ext. Run Tower, 230 V | 3707 |
| SYA8K16RMI | APC Symmetra LX 8 kVA scalable to 16 kVA N+1 Rack-mount, 230 V | 3707 |
| SYA8K8I | APC Symmetra LX 8 kVA scalable to 8 kVA N+1 Tower, 230 V | 2762 |
| SYA8K8RMI | APC Symmetra LX 8 kVA scalable to 8 kVA N+1 Rack-mount, 230 V | 2762 |
| SYA12K16I | APC Symmetra LX 12 kVA scalable to 16 kVA N+1 Tower, 230 V | 3707 |
| SYA12K16IXR | APC Symmetra LX 12 kVA scalable to 16 kVA N+1 Ext. Run Tower, 230 V | 3707 |
| SYA12K16RMI | APC Symmetra LX 12 kVA scalable to 16 kVA N+1 Rack-mount, 230 V | 3707 |
| SYA16K16I | APC Symmetra LX 16 kVA scalable to 16 kVA N+1 Tower, 230 V | 3707 |
| SYA16K16IXR | APC Symmetra LX 16 kVA scalable to 16 kVA N+1 Ext. Run Tower, 230 V | 3707 |
| SYA16K16RMI | APC Symmetra LX 16 kVA scalable to 16 kVA N+1 Rack-mount, 230 V | 3707 |

Drawings

In addition to the one drawing in this section for each model, other drawings are available on the Schneider Electric website:

- Mechanical drawings
- Single-line diagrams
- For tower models, illustrations for seismic anchoring

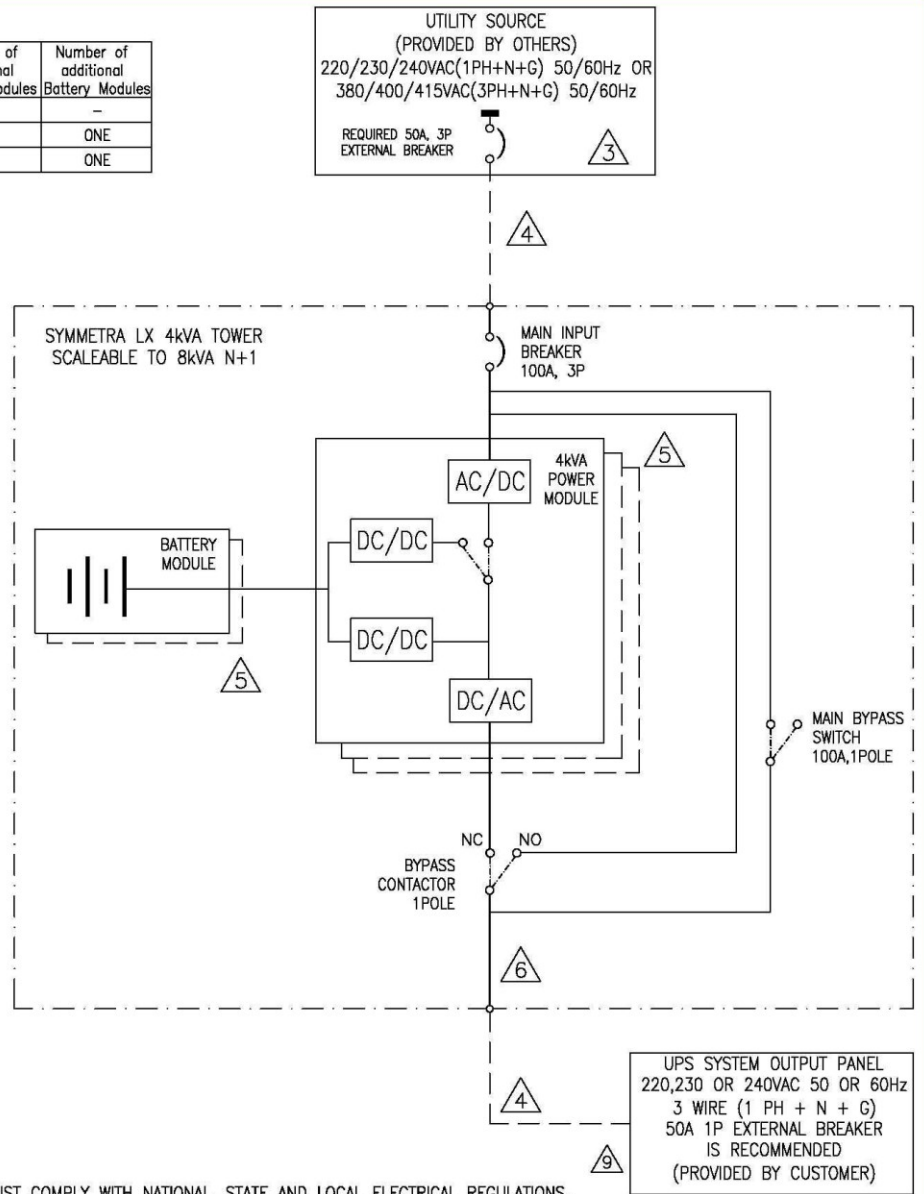
To view or download any of the additional drawings:

1. Go to <http://www.apc.com/site/products/index.cfm>.
2. Click on **Uninterruptible Power Supply (UPS)**.
3. Under the **Network and Server** category, click on Symmetra.
4. On the Symmetra products page, click on a Symmetra LX model name.
5. Click on the **Documentation** tab, and scroll downward.
6. Under **Submittal Drawings**, click on a drawing name to view or download it.

SYA4K8I: Symmetra LX 4 kVA Scalable to 8 kVA N+1 Tower, 230 V

TABLE-1

| Rating | Number of additional Power Modules | Number of additional Battery Modules |
|----------|------------------------------------|--------------------------------------|
| 4kVA N+1 | ONE | - |
| 8kVA | ONE | ONE |
| 8kVA N+1 | TWO | ONE |



NOTES:

1. INSTALLATION MUST COMPLY WITH NATIONAL, STATE AND LOCAL ELECTRICAL REGULATIONS.
2. PLEASE REFER TO PRODUCT DOCUMENTATION FOR FURTHER INFORMATION.
- △3. UTILITY SOURCE MUST BE 1PH 220/230/240VAC (1PH+N+G) 50/60Hz OR 3PH 380/400/415VAC(3PH+N+G) 50/60Hz PROVIDED BY OTHERS. NEUTRAL AND GROUND CONTINUITY IS SHOWN ON SHEET 2 OF THIS DRAWING.
- △4. DASHED LINES BETWEEN UNITS (- - -) REPRESENT CABLING PROVIDED BY OTHERS.
- △5. THE SYMMETRA LX, SKU NUMBER SYA4K8I, IS SHOWN IN A NON-REDUNDANT CONFIGURATION, HAVING ONE (1) POWER MODULE (SYPM4K1) AND ONE (1) BATTERY MODULE (SYBT5), PROVIDING UP TO 4kVA POWER. FURTHER POWER MODULES (SYPM4K1) AND BATTERY MODULES (SYBT5) CAN BE PURCHASED SEPARATELY AND INSTALLED IN THE SYSTEM IN ACCORDANCE WITH TABLE-1, PROVIDING SCALABILITY AND/OR REDUNDANCY.
- △6. UP TO TWO (2), OPTIONAL, SYMMETRA LX PDU PANELS CAN BE PURCHASED SEPARATELY AND INSTALLED TO PROVIDE FURTHER LOAD CONNECTIONS.
7. BLOCKS SHOWN WITH DASHED (-----) LINES REPRESENTS AVAILABLE SPACE/SLOTS FOR ADDITIONAL POWER MODULES AND BATTERY UNITS.
8. UP TO SEVEN (7) ADDITIONAL EXTENSION BATTERY CABINETS CAN BE CONNECTED TO INCREASE THE RUNTIME FURTHER.
- △9. A SMALLER OUTPUT BREAKER MAY BE USED TO ALLOW CIRCUIT BREAKER COORDINATION, HOWEVER THIS MAY REDUCE THE MAXIMUM LOAD KVA SUPPORTED.

THIS DRAWING AND SPECIFICATIONS HEREIN ARE THE PROPERTY OF SCHNEIDER ELECTRIC AND SHALL NOT BE COPIED, REPRODUCED OR USED IN WHOLE OR IN PART, AS THE BASIS FOR THE MANUFACTURE OR SALE OF ITEMS WITHOUT WRITTEN PERMISSION FROM SCHNEIDER ELECTRIC. THIS DRAWING IS BASED UPON LATEST AVAILABLE INFORMATION AND IS SUBJECT TO CHANGE WITHOUT NOTICE.



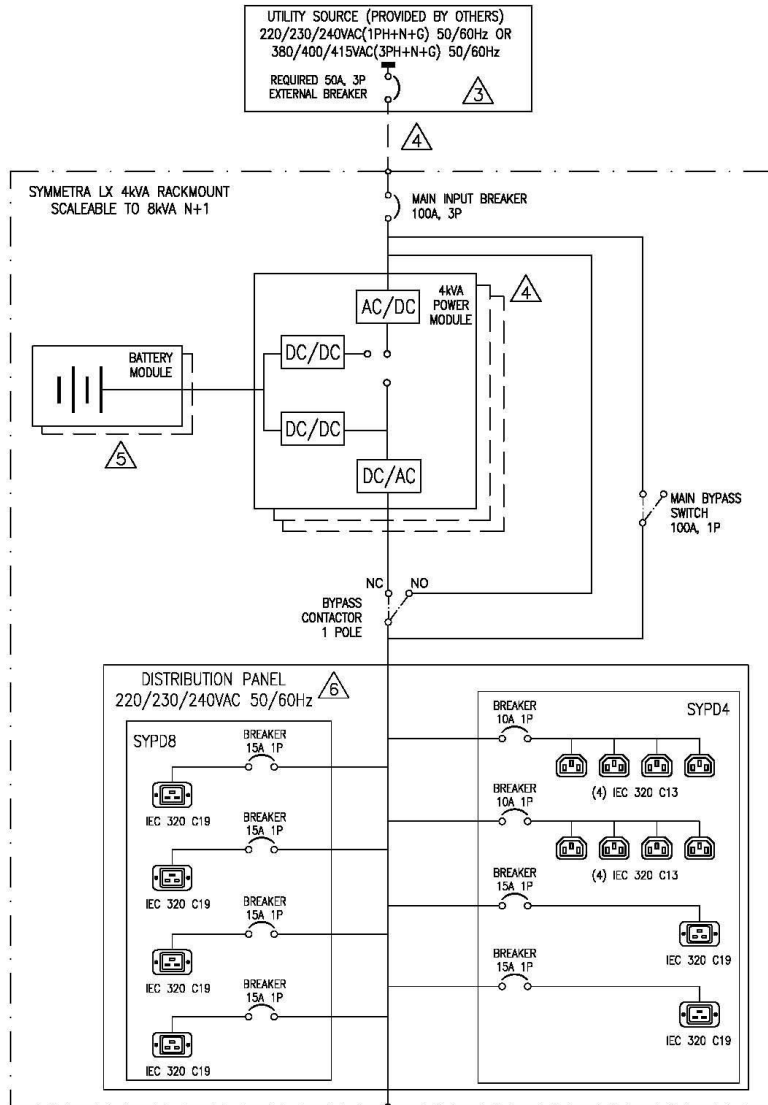
TITLE: SYMMETRA LX 4kVA TOWER
 INPUT: 220/230/240VAC (1PH+N+G) 50/60Hz OR 380/400/415VAC (3PH+N+G) 50/60Hz
 OUTPUT: 220/230/240VAC 50/60Hz SYSTEM SINGLE-LINE DIAGRAM
 PROJECT: SUBMITTAL DRAWINGS SHEET 1 OF 2

DWG NO: SYA4K8I-SD REV 2
 DRAWN: S CUNHA 13-JAN-11
 ENGINEER: K WHITE 13-JAN-11
 APPROVED: N WHITING 13-JAN-11
 PROJ. ANGLE N/A

SYA4K8RMI: Symmetra LX 4 kVA Scalable to 8 kVA N+1 Rack-Mount, 230 V

TABLE-1

| Rating | Number of additional Power Module(s) | Number of additional Battery Module(s) |
|----------|--------------------------------------|--|
| 4kVA N+1 | ONE | — |
| 8kVA | ONE | ONE |
| 8kVA N+1 | TWO | ONE |



NOTES:

1. INSTALLATION MUST COMPLY WITH NATIONAL, STATE AND LOCAL ELECTRICAL REGULATIONS.
2. PLEASE REFER TO PRODUCT DOCUMENTATION FOR FURTHER INFORMATION.
- △ 3. UTILITY SOURCE MUST BE 1PH 220/230/240VAC (1PH+N+G) 50/60Hz OR 3PH 380/400/415VAC (3PH+N+G) 50/60Hz PROVIDED BY OTHERS. NEUTRAL AND GROUND CONTINUITY IS SHOWN ON SHEET 2 OF THIS DRAWING.
- △ 4. DASHED LINES BETWEEN UNITS (- - -) REPRESENT CABLING PROVIDED BY OTHERS.
- △ 5. THE SYMMETRA LX, SKU NUMBER SYA4K8RMI, IS SHOWN IN A NON-REDUNDANT CONFIGURATION, HAVING ONE (1) POWER MODULE (SYPM4KI) AND ONE (1) BATTERY MODULE (SYBT5), PROVIDING UP TO 4kVA POWER. FURTHER POWER MODULES (SYPM4KI) AND BATTERY MODULE (SYBT5) CAN BE PURCHASED SEPARATELY AND INSTALLED IN THE SYSTEM IN ACCORDANCE WITH TABLE-1, PROVIDING SCALABILITY AND/OR REDUNDANCY.
- △ 6. TWO (2) SYMMETRA LX PDU PANELS ARE PRE-INSTALLED, PROVIDING SIX (6) IEC 320 C19 AND EIGHT (8) IEC 320 C13 OUTLETS. ALTERNATIVE PANELS CAN BE PURCHASED SEPARATELY AND INSTALLED.
7. BLOCKS SHOWN WITH DASHED (-----) LINES REPRESENTS AVAILABLE SPACE/SLOTS FOR ADDITIONAL POWER MODULES AND BATTERY UNITS.
8. UP TO SEVEN (7) ADDITIONAL EXTENDED RUN BATTERY CABINETS CAN BE CONNECTED TO INCREASE THE RUNTIME FURTHER.
- △ 9. A SMALLER OUTPUT BREAKER MAY BE USED TO ALLOW CIRCUIT BREAKER COORDINATION, HOWEVER THIS MAY REDUCE THE MAXIMUM LOAD KVA SUPPORTED.

THIS DRAWING AND SPECIFICATIONS HEREBY ARE THE PROPERTY OF SCHNEIDER ELECTRIC AND SHALL NOT BE COPIED, REPRODUCED OR USED IN WHOLE OR IN PART, AS THE BASIS FOR THE MANUFACTURE OR SALE OF ITEMS WITHOUT WRITTEN PERMISSION FROM SCHNEIDER ELECTRIC. THIS DRAWING IS BASED UPON LATEST AVAILABLE INFORMATION AND IS SUBJECT TO CHANGE WITHOUT NOTICE.



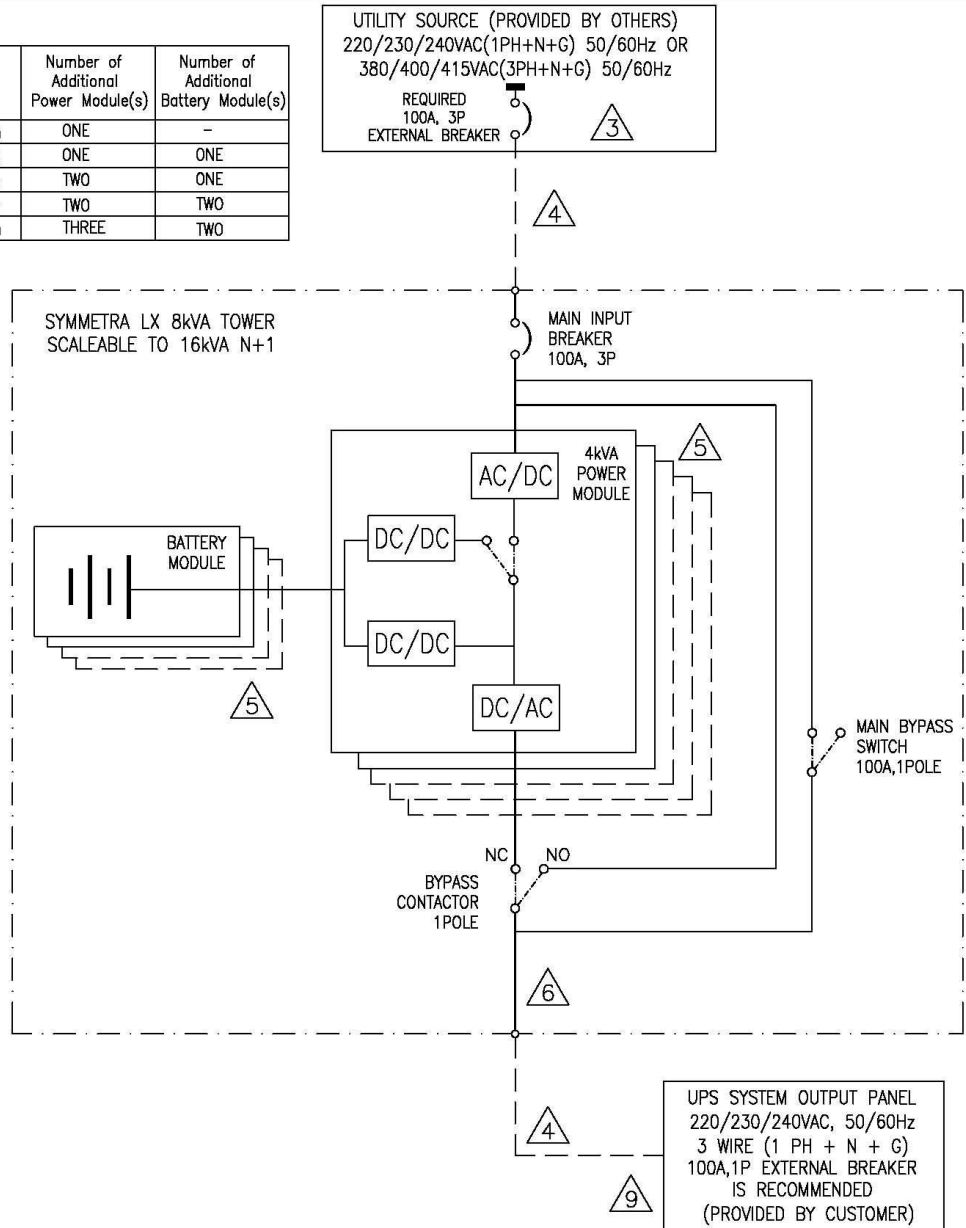
TITLE: SYMMETRA LX 4kVA RACKMOUNT
 INPUT: 220/230/240VAC (1PH+N+G) 50/60Hz
 OR 380/400/415VAC (3PH+N+G) 50/60Hz
 OUTPUT: 220/230/240VAC 50/60Hz
 SYSTEM SINGLE-LINE DIAGRAM

DWG NO: SYA4K8RMI-SD REV. 2
 DRAWN: S CUNHA 13-JAN-11 PROJ.
 ENGINEER: K WHITE 13-JAN-11 ANGLE
 APPROVED: N WHITING 13-JAN-11 N/A

SYA8K16I: Symmetra LX 8 kVA Scalable to 16 kVA N+1 Tower, 230 V

TABLE-1

| Rating | Number of Additional Power Module(s) | Number of Additional Battery Module(s) |
|---------------------|--------------------------------------|--|
| 8kVA N+1, Ext. run | ONE | — |
| 12kVA, Ext. run | ONE | ONE |
| 12kVA N+1, Ext. run | TWO | ONE |
| 16kVA, Ext. run | TWO | TWO |
| 16kVA N+1, Ext. run | THREE | TWO |

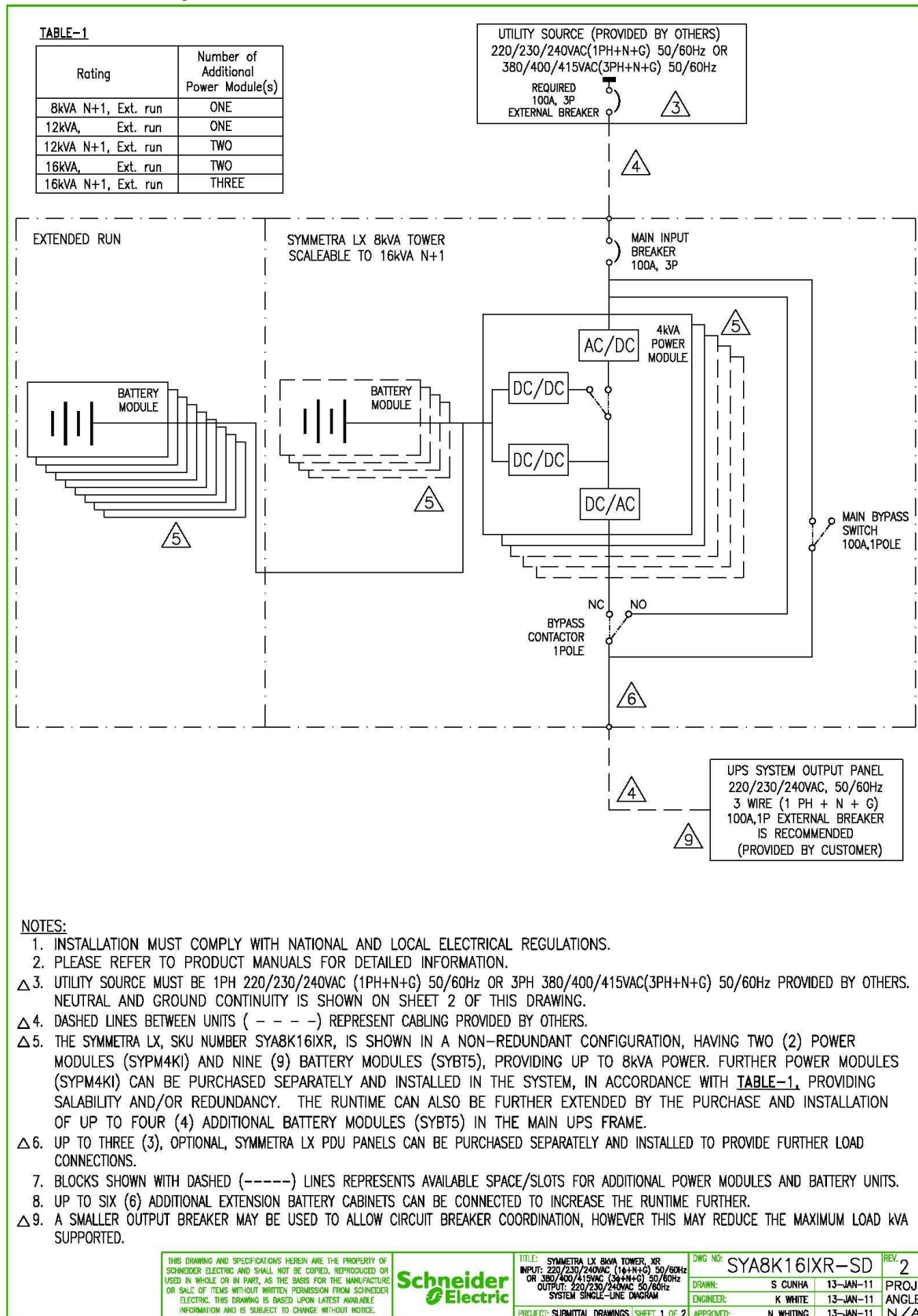


NOTES:

1. INSTALLATION MUST COMPLY WITH NATIONAL, STATE AND LOCAL ELECTRICAL REGULATIONS.
2. PLEASE REFER TO PRODUCT DOCUMENTATION FOR FURTHER INFORMATION.
- △3. UTILITY SOURCE MUST BE 1PH 220/230/240VAC (1PH+N+G) 50/60Hz OR 3PH 380/400/415VAC(3PH+N+G) 50/60Hz PROVIDED BY OTHERS. NEUTRAL AND GROUND CONTINUITY IS SHOWN ON SHEET 2 OF THIS DRAWING.
- △4. DASHED LINES BETWEEN UNITS (- - - -) REPRESENT CABLING PROVIDED BY OTHERS.
- △5. THE SYMMETRA LX, SKU NUMBER SYA8K16I, IS SHOWN IN A NON-REDUNDANT CONFIGURATION, HAVING TWO (2) POWER MODULES (SYPM4KI) AND TWO (2) BATTERY MODULES (SYBT5), PROVIDING UP TO 8kVA POWER. FURTHER POWER MODULES (SYPM4KI) AND BATTERY MODULES (SYBT5) CAN BE PURCHASED SEPARATELY AND INSTALLED IN THE SYSTEM IN ACCORDANCE WITH TABLE-1, PROVIDING SCALABILITY AND/OR REDUNDANCY.
- △6. UP TO FOUR (4), OPTIONAL, SYMMETRA LX PDU PANELS CAN BE PURCHASED SEPARATELY AND INSTALLED TO PROVIDE FURTHER LOAD CONNECTIONS.
7. BLOCKS SHOWN WITH DASHED (-----) LINES REPRESENTS AVAILABLE SPACE/SLOTS FOR ADDITIONAL POWER MODULES AND BATTERY UNITS.
8. UP TO SEVEN (7) ADDITIONAL EXTENSION BATTERY CABINETS CAN BE CONNECTED TO INCREASE THE RUNTIME FURTHER.
- △9. A SMALLER OUTPUT BREAKER MAY BE USED TO ALLOW CIRCUIT BREAKER COORDINATION, HOWEVER THIS MAY REDUCE THE MAXIMUM LOAD KVA SUPPORTED.

| | | | |
|--|--|---|--|
| <small>THIS DRAWING AND SPECIFICATIONS HEREIN ARE THE PROPERTY OF SCHNEIDER ELECTRIC AND SHALL NOT BE COPIED, REPRODUCED OR USED IN WHOLE OR IN PART, AS THE BASIS FOR THE MANUFACTURE OR SALE OF ITEMS WITHOUT WRITTEN PERMISSION FROM SCHNEIDER ELECTRIC. THIS DRAWING IS BASED UPON LATEST AVAILABLE INFORMATION AND IS SUBJECT TO CHANGE WITHOUT NOTICE.</small> | | TITLE: SYMMETRA LX 8kVA TOWER INPUT: 220/230/240VAC (1PH+N+G) 50/60Hz OR 380/400/415VAC (3PH+N+G) 50/60Hz OUTPUT: 220/230/240VAC 50/60Hz SYSTEM SINGLE-LINE DIAGRAM | DWG NO: SYA8K16I-SD REV: 2 |
| | | PROJECT: SUBMITTAL DRAWINGS SHEET 1 OF 2 | APPROVED: N WHITING 13-JAN-11 ENGINEER: K WHITE 13-JAN-11 DRAWN: S CUNHA 13-JAN-11 PROJ. ANGLE: N/A |

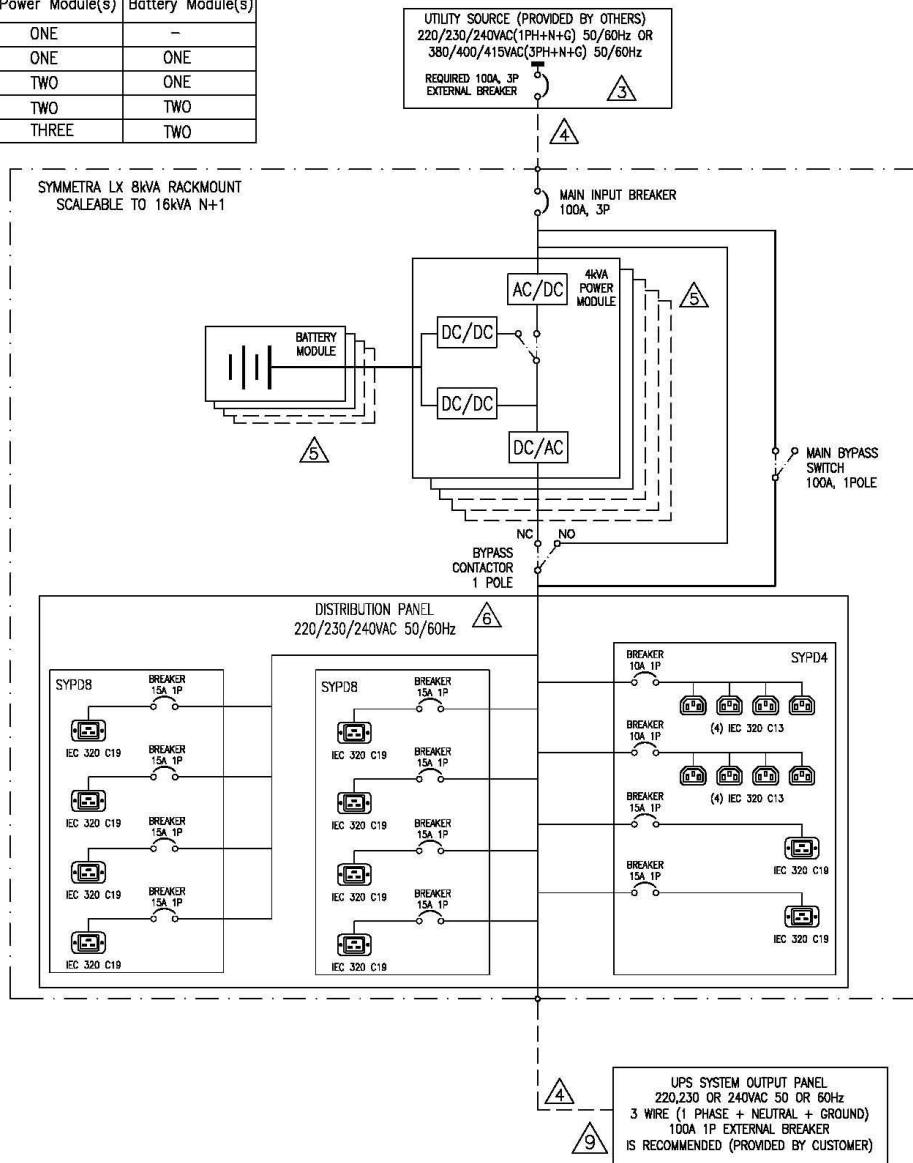
SYA8K16IXR: Symmetra LX 8 kVA Scalable to 16 kVA N+1 Ext. Run Tower, 230 V



SYA8K16RMI: Symmetra LX 8 kVA Scalable to 16 kVA N+1 Rack-Mount, 230 V

TABLE-1

| Rating | Number of Additional Power Module(s) | Number of Additional Battery Module(s) |
|---------------------|--------------------------------------|--|
| 8kVA N+1, Ext. run | ONE | — |
| 12kVA, Ext. run | ONE | ONE |
| 12kVA N+1, Ext. run | TWO | ONE |
| 16kVA, Ext. run | TWO | TWO |
| 16kVA N+1, Ext. run | THREE | TWO |

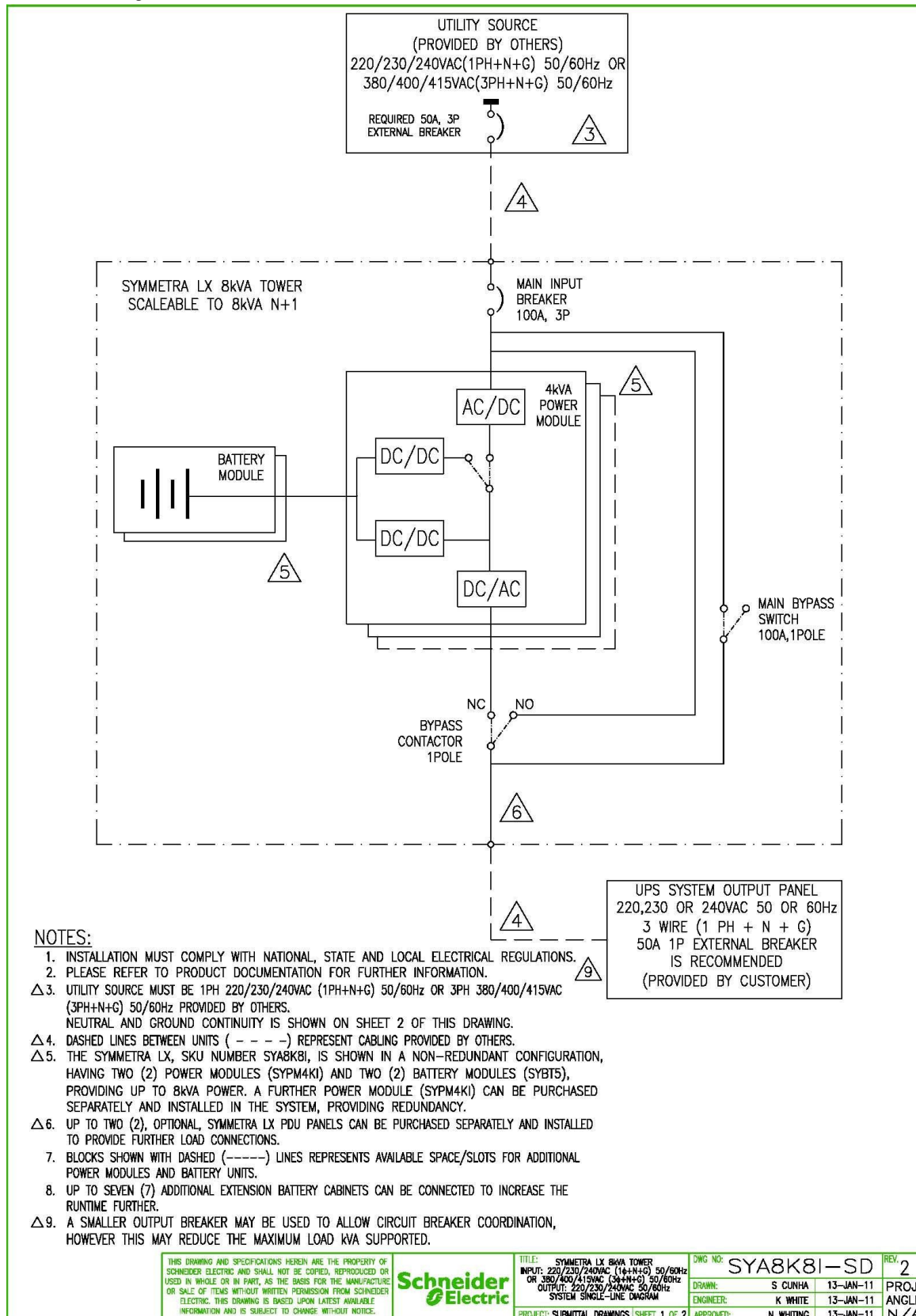


NOTES:

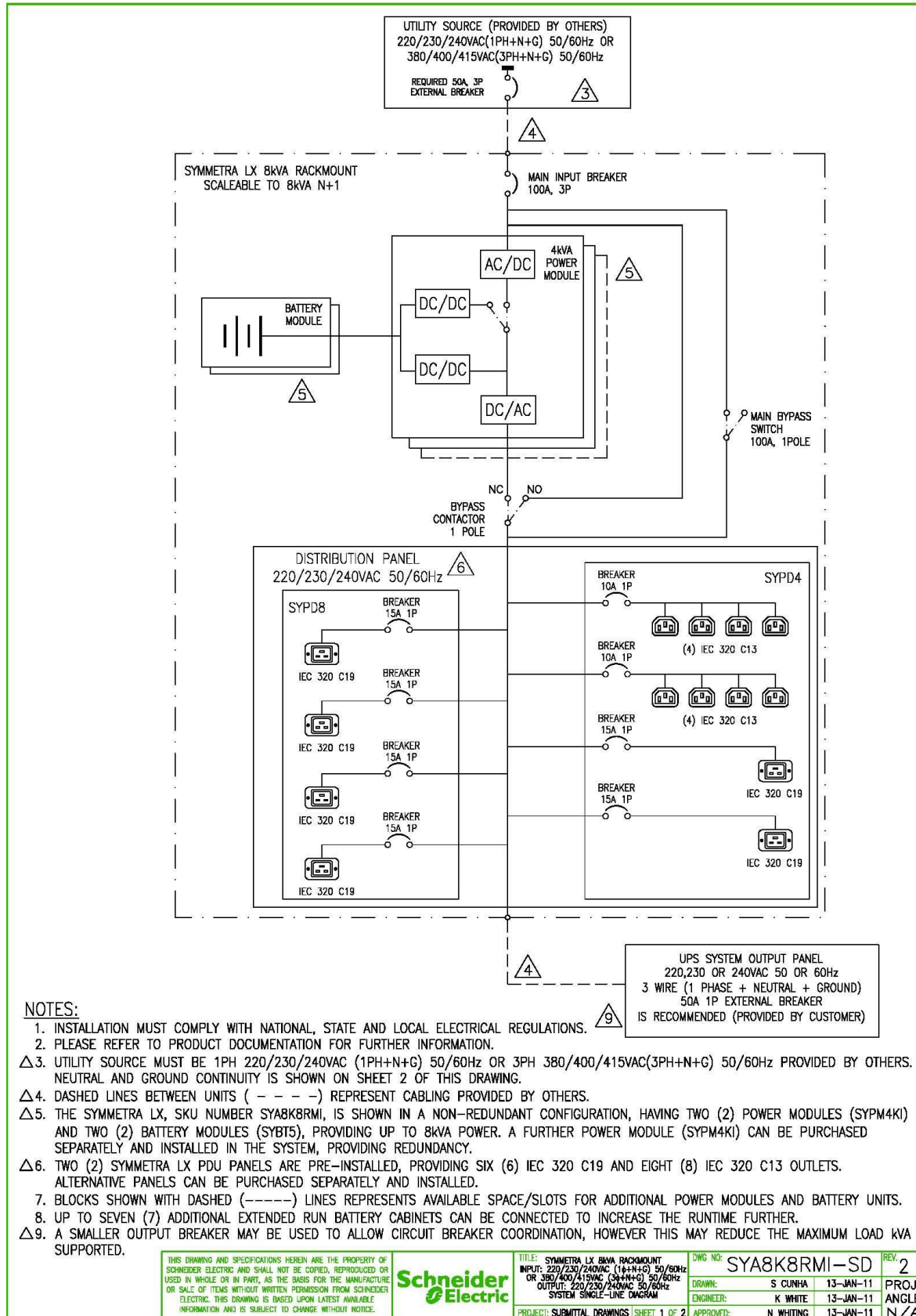
1. INSTALLATION MUST COMPLY WITH NATIONAL, STATE AND LOCAL ELECTRICAL REGULATIONS.
2. PLEASE REFER TO PRODUCT DOCUMENTATION FOR FURTHER INFORMATION.
- △3. UTILITY SOURCE MUST BE 1PH 220/230/240VAC (1PH+N+G) 50/60Hz OR 3PH 380/400/415VAC(3PH+N+G) 50/60Hz PROVIDED BY OTHERS. NEUTRAL AND GROUND CONTINUITY IS SHOWN ON SHEET 2 OF THIS DRAWING.
- △4. DASHED LINES BETWEEN UNITS (- - - -) REPRESENT CABLING PROVIDED BY OTHERS.
- △5. THE SYMMETRA LX, SKU NUMBER SYA8K16RMI, IS SHOWN IN A NON-REDUNDANT CONFIGURATION, HAVING TWO (2) POWER MODULES (SYPM4KI) AND TWO (2) BATTERY MODULES (SYBT5), PROVIDING UP TO 8kVA POWER. FURTHER POWER MODULES (SYPM4KI) AND BATTERY MODULES (SYBT5) CAN BE PURCHASED SEPARATELY AND INSTALLED IN THE SYSTEM IN ACCORDANCE WITH TABLE-1, PROVIDING SCALABILITY AND/OR REDUNDANCY.
- △6. THREE (3) SYMMETRA LX PDU PANELS ARE PRE-INSTALLED, PROVIDING TEN (10) IEC 320 C19 AND EIGHT (8) IEC 320 C13 OUTLETS, AN ADDITIONAL FOURTH (4th) PANEL CAN BE PURCHASED SEPARATELY AND INSTALLED TO PROVIDE ADDITIONAL OUTLETS.
7. BLOCKS SHOWN WITH DASHED (-----) LINES REPRESENTS AVAILABLE SPACE/SLOTS FOR ADDITIONAL POWER MODULES AND BATTERY UNITS.
8. UP TO SEVEN (7) ADDITIONAL EXTENDED RUN BATTERY CABINETS CAN BE CONNECTED TO INCREASE THE RUNTIME FURTHER.
- △9. A SMALLER OUTPUT BREAKER MAY BE USED TO ALLOW CIRCUIT BREAKER COORDINATION, HOWEVER THIS MAY REDUCE THE MAXIMUM LOAD kVA SUPPORTED.

| | | | |
|--|---|--|--------------------|
| | TITLE: SYMMETRA LX 8kVA RACKMOUNT INPUT: 220/230/240VAC (1PH+N+G) 50/60Hz OR 380/400/415VAC (3PH+N+G) 50/60Hz OUTPUT: 220/230/240VAC 50/60Hz SYSTEM SINGLE-LINE DIAGRAM | DWG NO: SYA8K16RMI-SD | REV: 2 |
| | PROJECT: SUBMITTAL DRAWINGS SHEET 1 OF 2 | DRAWN: S CUNHA 13-JAN-11 ENGINEER: K WHITE 13-JAN-11 APPROVED: N WHITING 13-JAN-11 | PROJ. ANGLE N/A |

SYA8K8I: Symmetra LX 8 kVA Scalable to 8 kVA N+1 Tower, 230 V



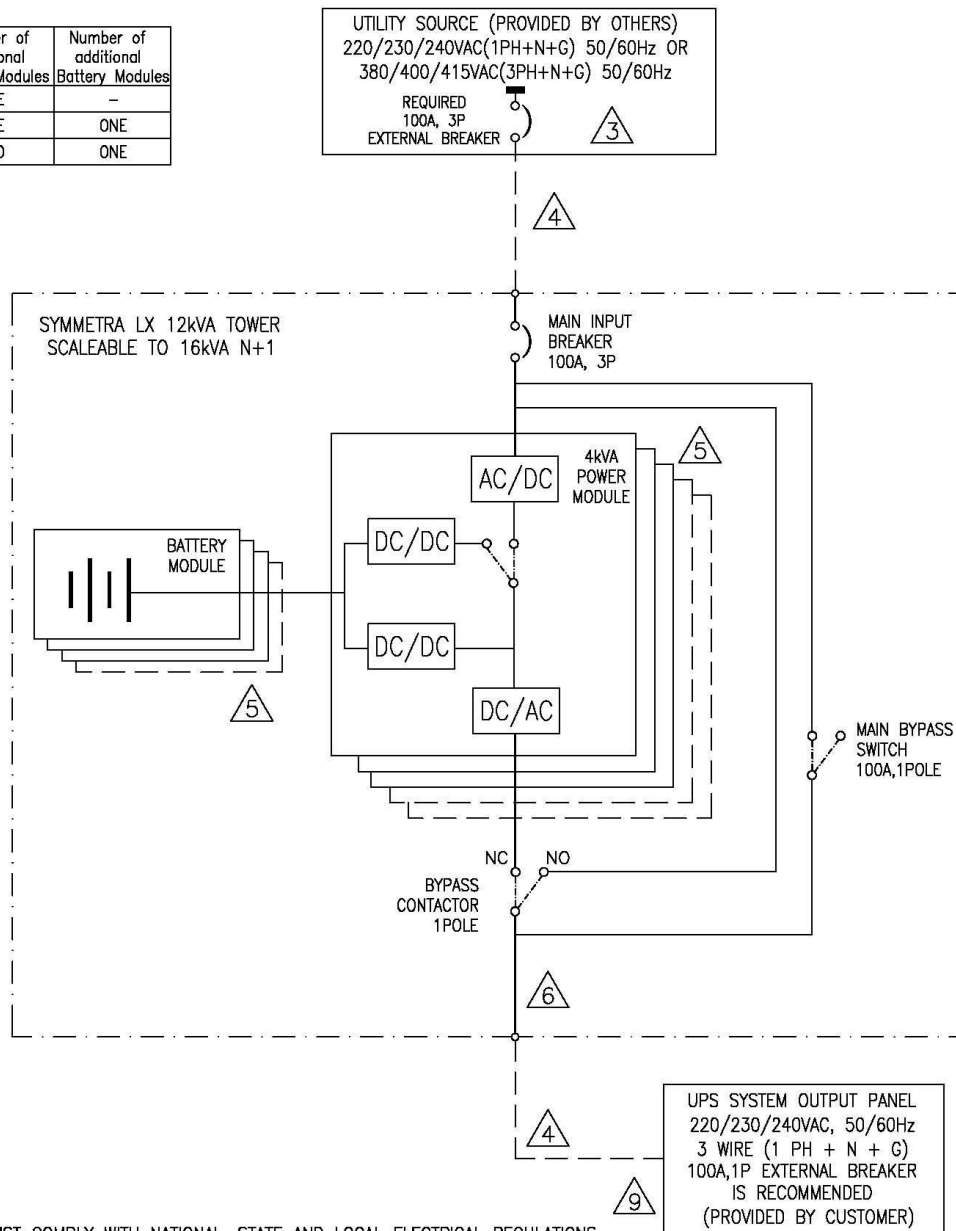
SYA8K8RMI: Symmetra LX 8 kVA Scalable to 8 kVA N+1 Rack-Mount, 230 V



SYA12K16I: Symmetra LX 12 kVA Scalable to 16 kVA N+1 Tower, 230 V

TABLE-1

| Rating | Number of additional Power Modules | Number of additional Battery Modules |
|-----------|------------------------------------|--------------------------------------|
| 12kVA N+1 | ONE | — |
| 16kVA | ONE | ONE |
| 16kVA N+1 | TWO | ONE |



NOTES:

1. INSTALLATION MUST COMPLY WITH NATIONAL, STATE AND LOCAL ELECTRICAL REGULATIONS.
2. PLEASE REFER TO PRODUCT DOCUMENTATION FOR FURTHER INFORMATION.
- △3. UTILITY SOURCE MUST BE 1PH 220/230/240VAC (1PH+N+G) 50/60Hz OR 3PH 380/400/415VAC(3PH+N+G) 50/60Hz PROVIDED BY OTHERS. NEUTRAL AND GROUND CONTINUITY IS SHOWN ON SHEET 2 OF THIS DRAWING.
- △4. DASHED LINES BETWEEN UNITS (- - - -) REPRESENT CABLING PROVIDED BY OTHERS.
- △5. THE SYMMETRA LX, SKU NUMBER SYA12K16I, IS SHOWN IN A NON-REDUNDANT CONFIGURATION, HAVING THREE (3) POWER MODULES (SYPM4KI) AND THREE (3) BATTERY MODULES (SYBT5), PROVIDING UP TO 12kVA POWER. FURTHER POWER MODULES (SYPM4KI) AND BATTERY MODULE (SYBT5) CAN BE PURCHASED SEPARATELY AND INSTALLED IN THE SYSTEM IN ACCORDANCE WITH **TABLE-1**, PROVIDING SCALABILITY AND/OR REDUNDANCY.
- △6. UP TO FOUR (4), OPTIONAL, SYMMETRA LX PDU PANELS CAN BE PURCHASED SEPARATELY AND INSTALLED TO PROVIDE FURTHER LOAD CONNECTIONS.
7. BLOCKS SHOWN WITH DASHED (-----) LINES REPRESENTS AVAILABLE SPACE/SLOTS FOR ADDITIONAL POWER MODULES AND BATTERY UNITS.
8. UP TO SEVEN (7) ADDITIONAL EXTENSION BATTERY CABINETS CAN BE CONNECTED TO INCREASE THE RUNTIME FURTHER.
- △9. A SMALLER OUTPUT BREAKER MAY BE USED TO ALLOW CIRCUIT BREAKER COORDINATION, HOWEVER THIS MAY REDUCE THE MAXIMUM LOAD KVA SUPPORTED.

| | | | |
|--|--|--|--|
| <small>THIS DRAWING AND SPECIFICATIONS HEREIN ARE THE PROPERTY OF SCHNEIDER ELECTRIC AND SHALL NOT BE COPIED, REPRODUCED OR USED IN WHOLE OR IN PART, AS THE BASIS FOR THE MANUFACTURE OR SALE OF ITEMS WITHOUT WRITTEN PERMISSION FROM SCHNEIDER ELECTRIC. THIS DRAWING IS BASED UPON LATEST AVAILABLE INFORMATION AND IS SUBJECT TO CHANGE WITHOUT NOTICE.</small> | | TITLE: SYMMETRA LX 12kVA TOWER INPUT: 220/230/240VAC (1PH+N+G) 50/60Hz OR 380/400/415VAC (3PH+N+G) 50/60Hz OUTPUT: 220/230/240VAC 50/60Hz SYSTEM SINGLE-LINE DIAGRAM | DWG NO: SYA12K16I-SD REV: 2 |
| | | PROJECT: SUBMITTAL DRAWINGS SHEET 1 OF 2 | APPROVED: N WHITING 13-JAN-11 DRAWN: S CUNHA 13-JAN-11 ENGINEER: K WHITE 13-JAN-11 |

SYA12K16IXR: Symmetra LX 12 kVA Scalable to 16 kVA N+1 Ext. Run Tower, 230 V

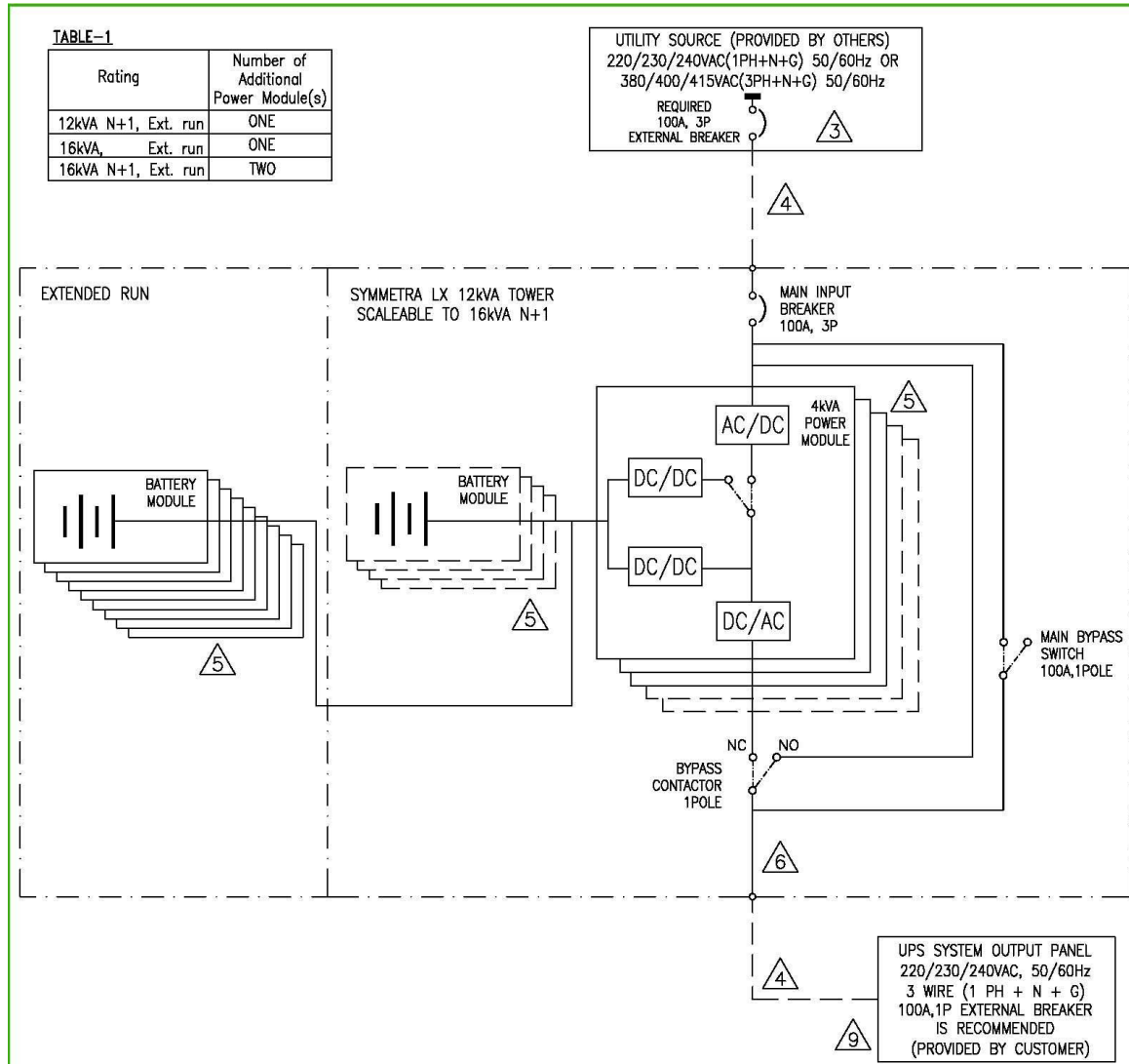


TABLE-1

| Rating | Number of Additional Power Module(s) |
|---------------------|--------------------------------------|
| 12kVA N+1, Ext. run | ONE |
| 16kVA, Ext. run | ONE |
| 16kVA N+1, Ext. run | TWO |

NOTES:

1. INSTALLATION MUST COMPLY WITH NATIONAL AND LOCAL ELECTRICAL REGULATIONS.
2. PLEASE REFER TO PRODUCT MANUALS FOR DETAILED INFORMATION.
- △ 3. UTILITY SOURCE MUST BE 1PH 220/230/240VAC (1PH+N+G) 50/60Hz OR 3PH 380/400/415VAC(3PH+N+G) 50/60Hz PROVIDED BY OTHERS. NEUTRAL AND GROUND CONTINUITY IS SHOWN ON SHEET 2 OF THIS DRAWING.
- △ 4. DASHED LINES BETWEEN UNITS (- - - -) REPRESENT CABLING PROVIDED BY OTHERS.
- △ 5. THE SYMMETRA LX, SKU NUMBER SYA12K16IXR, IS SHOWN IN A NON-REDUNDANT CONFIGURATION, HAVING THREE (3) POWER MODULES (SYPM4K1) AND NINE (9) BATTERY MODULES (SYBT5), PROVIDING UP TO 12kVA POWER. FURTHER POWER MODULES (SYPM4K1) CAN BE PURCHASED SEPARATELY AND INSTALLED IN THE SYSTEM, IN ACCORDANCE WITH TABLE-1, PROVIDING SALABILITY AND/OR REDUNDANCY. THE RUNTIME CAN ALSO BE FURTHER EXTENDED BY THE PURCHASE AND INSTALLATION OF UP TO FOUR (4) ADDITIONAL BATTERY MODULES (SYBT5) IN THE MAIN UPS FRAME.
- △ 6. UP TO THREE (3), OPTIONAL, SYMMETRA LX PDU PANELS CAN BE PURCHASED SEPARATELY AND INSTALLED TO PROVIDE FURTHER LOAD CONNECTIONS.
7. BLOCKS SHOWN WITH DASHED (-----) LINES REPRESENTS AVAILABLE SPACE/SLOTS FOR ADDITIONAL POWER MODULES AND BATTERY UNITS.
8. UP TO SIX (6) ADDITIONAL EXTENSION BATTERY CABINETS CAN BE CONNECTED TO INCREASE THE RUNTIME FURTHER.
- △ 9. A SMALLER OUTPUT BREAKER MAY BE USED TO ALLOW CIRCUIT BREAKER COORDINATION, HOWEVER THIS MAY REDUCE THE MAXIMUM LOAD KVA SUPPORTED.

THIS DRAWING AND SPECIFICATIONS HEREIN ARE THE PROPERTY OF SCHNEIDER ELECTRIC AND SHALL NOT BE COPIED, REPRODUCED OR USED IN WHOLE OR IN PART, AS THE BASIS FOR THE MANUFACTURE OR SALE OF ITEMS WITHOUT WRITTEN PERMISSION FROM SCHNEIDER ELECTRIC. THIS DRAWING IS BASED UPON LATEST AVAILABLE INFORMATION AND IS SUBJECT TO CHANGE WITHOUT NOTICE.



TITLE: SYMMETRA LX 12kVA TOWER, XR
 INPUT: 220/230/240VAC (1PH+N+G) 50/60Hz
 OR 380/400/415VAC (3PH+N+G) 50/60Hz
 OUTPUT: 220/230/240VAC 30/60Hz
 SYSTEM SINGLE-LINE DIAGRAM

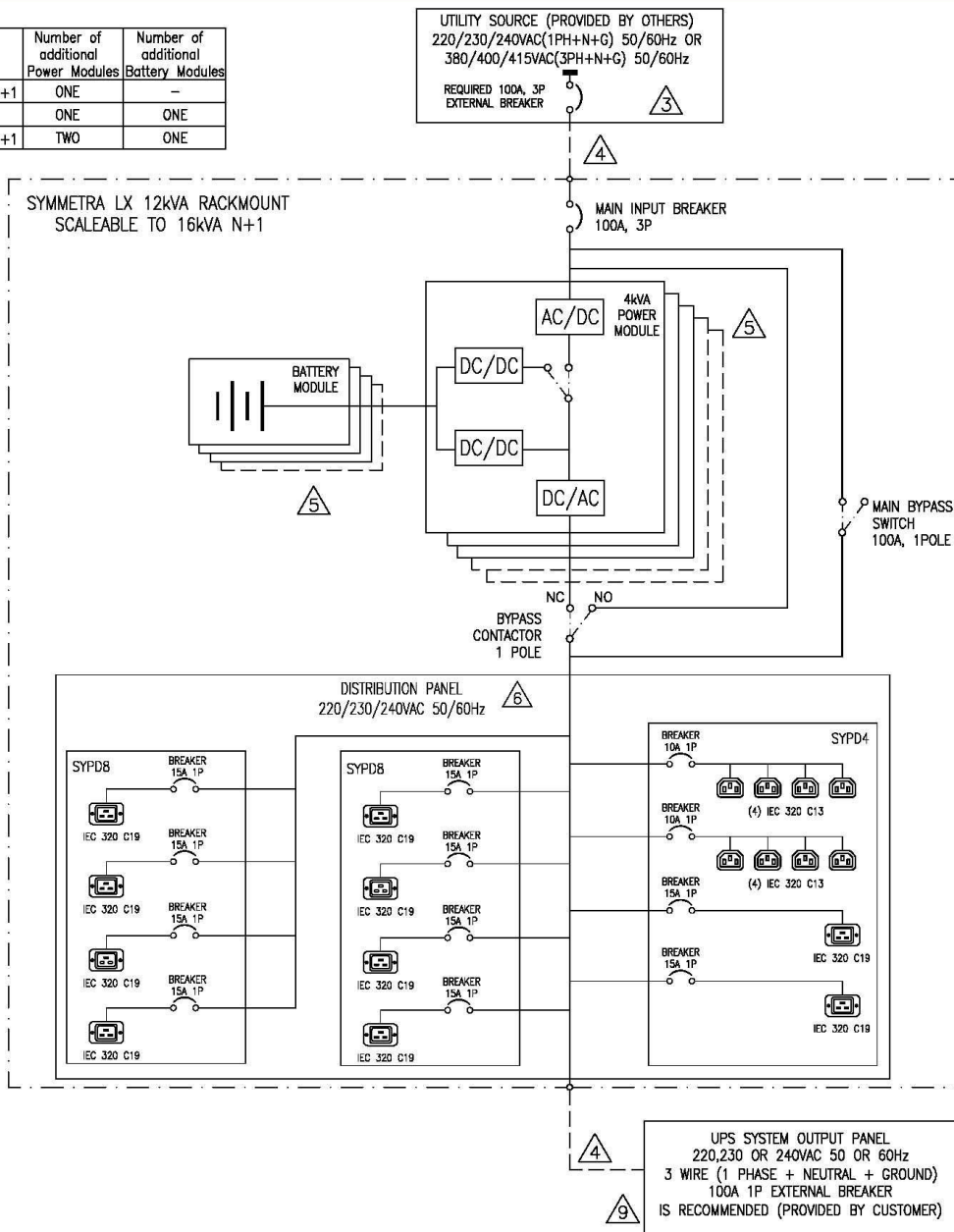
DWG NO: SYA12K16IXR-SD REV. 2
 DRAWN: S CUNHA 13-JAN-11
 ENGINEER: K WHITE 13-JAN-11
 APPROVED: N WHITING 13-JAN-11
 PROJ. ANGLE
 N/A

PROJECT: SUBMITTAL DRAWINGS SHEET 1 OF 2

SYA12K16RMI: Symmetra LX 12 kVA Scalable to 16 kVA N+1 Rack-Mount, 230 V

TABLE-1

| Rating | Number of additional Power Modules | Number of additional Battery Modules |
|-----------|------------------------------------|--------------------------------------|
| 12kVA N+1 | ONE | — |
| 16kVA | ONE | ONE |
| 16kVA N+1 | TWO | ONE |



NOTES:

- INSTALLATION MUST COMPLY WITH NATIONAL, STATE AND LOCAL ELECTRICAL REGULATIONS.
- PLEASE REFER TO PRODUCT DOCUMENTATION FOR FURTHER INFORMATION.
- UTILITY SOURCE MUST BE 1PH 220/230/240VAC (1PH+N+G) 50/60Hz OR 3PH 380/400/415VAC(3PH+N+G) 50/60Hz PROVIDED BY OTHERS. NEUTRAL AND GROUND CONTINUITY IS SHOWN ON SHEET 2 OF THIS DRAWING.
- DASHED LINES BETWEEN UNITS (- - -) REPRESENT CABLING PROVIDED BY OTHERS.
- THE SYMMETRA LX, SKU NUMBER SYA12K16RMI, IS SHOWN IN A NON-REDUNDANT CONFIGURATION, HAVING THREE (3) POWER MODULES (SYPM4KI) AND THREE (3) BATTERY MODULES (SYBT5), PROVIDING UP TO 12kVA POWER. FURTHER POWER MODULES (SYPM4KI) AND BATTERY MODULE (SYBT5) CAN BE PURCHASED SEPARATELY AND INSTALLED IN THE SYSTEM IN ACCORDANCE WITH TABLE-1, PROVIDING SCALABILITY AND/OR REDUNDANCY.
- THREE (3) SYMMETRA LX PDU PANELS ARE PRE-INSTALLED, PROVIDING TEN (10) IEC 320 C19 AND EIGHT (8) IEC 320 C13 OUTLETS, AN ADDITIONAL FOURTH (4th) PANEL CAN BE PURCHASED SEPARATELY AND INSTALLED TO PROVIDE ADDITIONAL OUTLETS.
- BLOCKS SHOWN WITH DASHED (-----) LINES REPRESENTS AVAILABLE SPACE/SLOTS FOR ADDITIONAL POWER MODULES AND BATTERY UNITS.
- UP TO SEVEN (7) ADDITIONAL EXTENDED RUN BATTERY CABINETS CAN BE CONNECTED TO INCREASE THE RUNTIME FURTHER.
- A SMALLER OUTPUT BREAKER MAY BE USED TO ALLOW CIRCUIT BREAKER COORDINATION, HOWEVER THIS MAY REDUCE THE MAXIMUM LOAD KVA SUPPORTED.

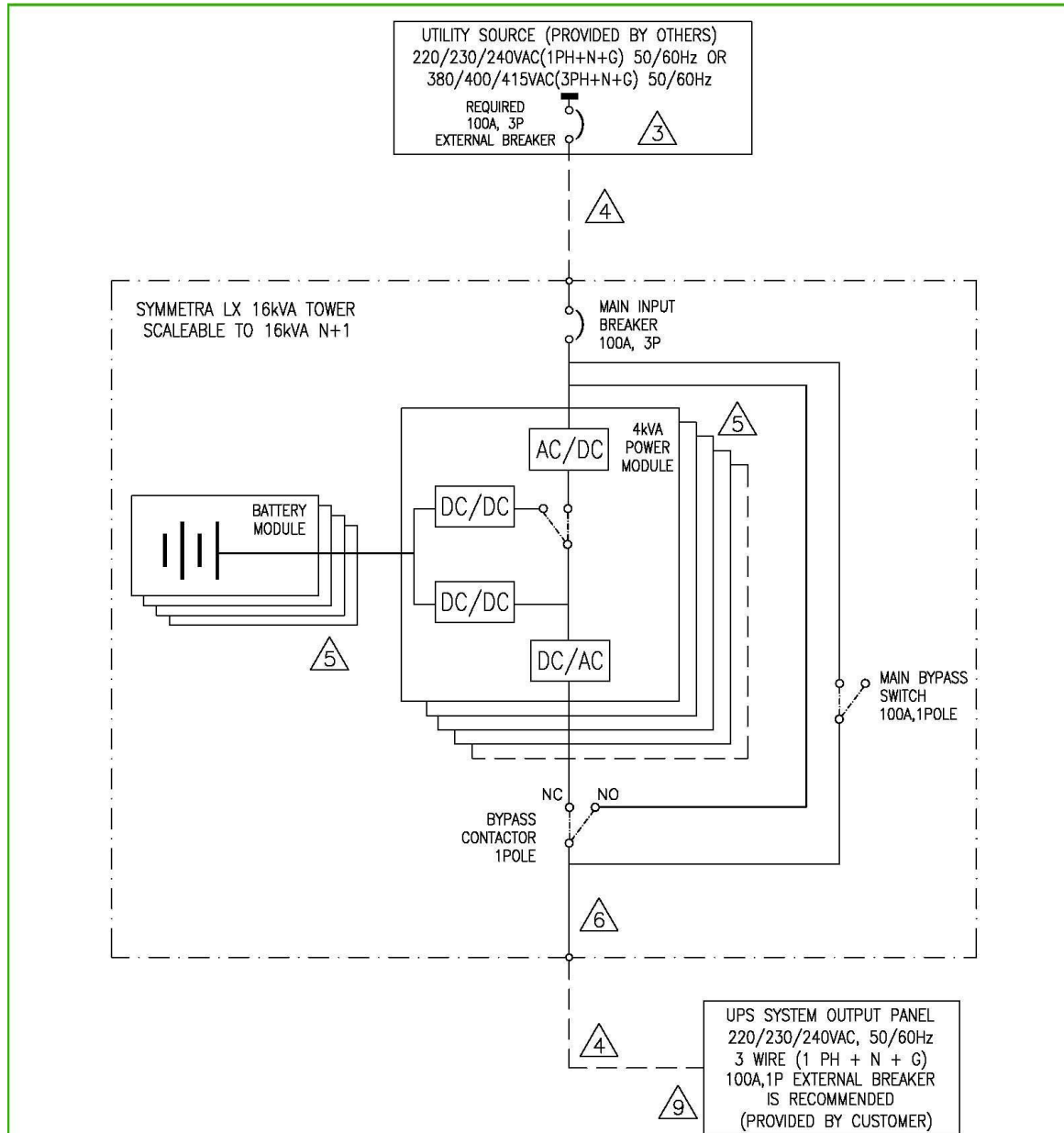
THIS DRAWING AND SPECIFICATIONS HEREIN ARE THE PROPERTY OF SCHNEIDER ELECTRIC AND SHALL NOT BE COPIED, REPRODUCED OR USED IN WHOLE OR IN PART, AS THE BASIS FOR THE MANUFACTURE OR SALE OF ITEMS WITHOUT WRITTEN PERMISSION FROM SCHNEIDER ELECTRIC. THIS DRAWING IS BASED UPON LATEST AVAILABLE INFORMATION AND IS SUBJECT TO CHANGE WITHOUT NOTICE.



TITLE: SYMMETRA LX 12kVA RACKMOUNT
 INPUT: 220/230/240VAC (1PH+N+G) 50/60Hz
 OR 380/400/415VAC (3PH+N+G) 50/60Hz
 OUTPUT: 220/230/240VAC 50/60Hz
 SYSTEM SINGLE-LINE DIAGRAM

DWG NO: SYA12K16RMI-SD
 REV: 2
 DRAWN: S CUNHA 13-JAN-11
 ENGINEER: K WHITE 13-JAN-11
 APPROVED: N WHITING 13-JAN-11
 PROJECT: SUBMITTAL DRAWINGS SHEET 1 OF 2
 ANGLE N/A

SYA16K16I: Symmetra LX 16 kVA Scalable to 16 kVA N+1 Tower, 230 V



NOTES:

1. INSTALLATION MUST COMPLY WITH NATIONAL, STATE AND LOCAL ELECTRICAL REGULATIONS.
2. PLEASE REFER TO PRODUCT DOCUMENTATION FOR FURTHER INFORMATION.
- △3. UTILITY SOURCE MUST BE 1PH 220/230/240VAC (1PH+N+G) 50/60Hz OR 3PH 380/400/415VAC(3PH+N+G) 50/60Hz PROVIDED BY OTHERS. NEUTRAL AND GROUND CONTINUITY IS SHOWN ON SHEET 2 OF THIS DRAWING.
- △4. DASHED LINES BETWEEN UNITS (- - -) REPRESENT CABLING PROVIDED BY OTHERS.
- △5. THE SYMMETRA LX, SKU NUMBER SYA16K16I, IS SHOWN IN A NON-REDUNDANT CONFIGURATION, HAVING FOUR (4) POWER MODULES (SYPM4KI) AND FOUR (4) BATTERY MODULES (SYBT5), PROVIDING UP TO 16kVA POWER. A FURTHER POWER MODULE (SYPM4KI) CAN BE PURCHASED SEPARATELY AND INSTALLED IN THE UNIT TO PROVIDE AN N+1 REDUNDANT SYSTEM, OFFERING A TOTAL SYSTEM POWER OF UP TO 16kVA WITH REDUNDANCY.
- △6. UP TO FOUR (4), OPTIONAL, SYMMETRA LX PDU PANELS CAN BE PURCHASED SEPARATELY AND INSTALLED TO PROVIDE FURTHER LOAD CONNECTIONS.
7. BLOCKS SHOWN WITH DASHED (-----) LINES REPRESENTS AVAILABLE SPACE/SLOTS FOR ADDITIONAL POWER MODULES AND BATTERY UNITS.
8. UP TO SEVEN (7) ADDITIONAL EXTENSION BATTERY CABINETS CAN BE CONNECTED TO INCREASE THE RUNTIME FURTHER.
- △9. A SMALLER OUTPUT BREAKER MAY BE USED TO ALLOW CIRCUIT BREAKER COORDINATION, HOWEVER THIS MAY REDUCE THE MAXIMUM LOAD KVA SUPPORTED.

THIS DRAWING AND SPECIFICATIONS HEREIN ARE THE PROPERTY OF SCHNEIDER ELECTRIC AND SHALL NOT BE COPIED, REPRODUCED OR USED IN WHOLE OR IN PART, AS THE BASIS FOR THE MANUFACTURE OR SALE OF ITEMS WITHOUT WRITTEN PERMISSION FROM SCHNEIDER ELECTRIC. THIS DRAWING IS BASED UPON LATEST AVAILABLE INFORMATION AND IS SUBJECT TO CHANGE WITHOUT NOTICE.

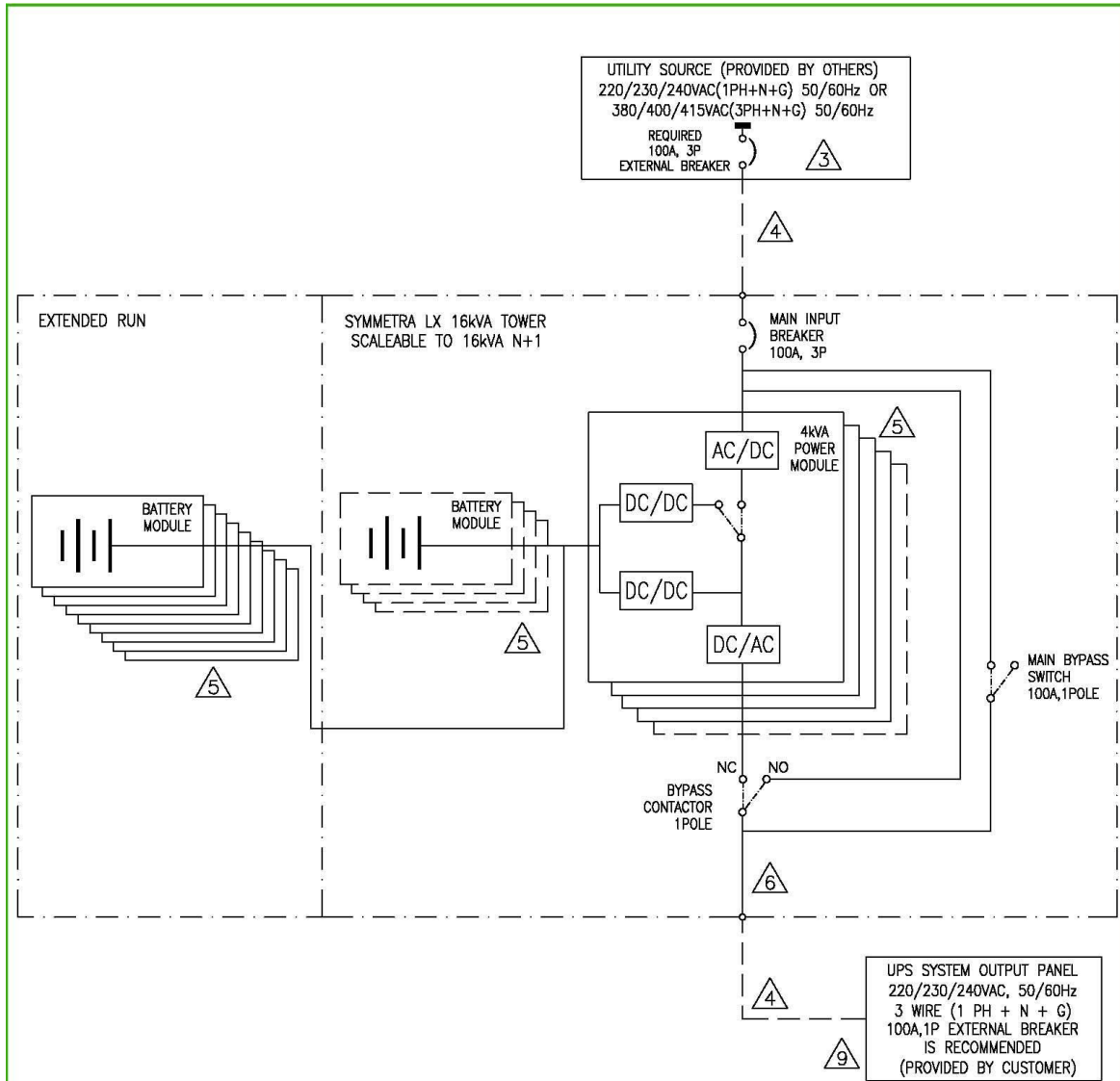


TITLE: SYMMETRA LX 16kVA TOWER
INPUT: 220/230/240VAC (1PH+N+G) 50/60Hz
OR 380/400/415VAC (3PH+N+G) 50/60Hz
OUTPUT: 220/230/240VAC 50/60Hz
SYSTEM SINGLE-LINE DIAGRAM

| | | | |
|-----------|--------------|-----------|-------|
| DWG NO: | SYA16K16I-SD | REV. | 2 |
| DRAWN: | S CUNHA | 13-JAN-11 | PROJ. |
| ENGINEER: | K WHITE | 13-JAN-11 | ANGLE |
| APPROVED: | N WHITING | 13-JAN-11 | N/A |

PROJECT: SUBMITTAL DRAWINGS | SHEET 1 OF 2

SYA16K16IXR: Symmetra LX 16 kVA Scalable to 16 kVA N+1 Ext. Run Tower, 230 V



NOTES:

1. INSTALLATION MUST COMPLY WITH NATIONAL AND LOCAL ELECTRICAL REGULATIONS.
2. PLEASE REFER TO PRODUCT MANUALS FOR DETAILED INFORMATION.
- △ 3. UTILITY SOURCE MUST BE 1PH 220/230/240VAC (1PH+N+G) 50/60Hz OR 3PH 380/400/415VAC (3PH+N+G) 50/60Hz PROVIDED BY OTHERS. NEUTRAL AND GROUND CONTINUITY IS SHOWN ON SHEET 2 OF THIS DRAWING.
- △ 4. DASHED LINES BETWEEN UNITS (- - -) REPRESENT CABLING PROVIDED BY OTHERS.
- △ 5. THE SYMMETRA LX, SKU NUMBER SYA16K16IXR, IS SHOWN IN A NON-REDUNDANT CONFIGURATION, HAVING FOUR (4) POWER MODULES (SYPM4K1) AND NINE (9) BATTERY MODULES (SYBT5), PROVIDING UP TO 16kVA POWER. FURTHER POWER MODULE (1-SYPM4K1) CAN BE PURCHASED SEPARATELY AND INSTALLED IN THE SYSTEM TO PROVIDE AN N+1 REDUNDANT SYSTEM, OFFERING A TOTAL SYSTEM POWER OF UP TO 16kVA WITH REDUNDANCY. THE RUNTIME CAN ALSO BE FURTHER EXTENDED BY THE PURCHASE AND INSTALLATION OF UP TO FOUR (4) ADDITIONAL BATTERY MODULES (SYBT5) IN THE MAIN UPS FRAME.
- △ 6. UP TO THREE (3), OPTIONAL, SYMMETRA LX PDU PANELS CAN BE PURCHASED SEPARATELY AND INSTALLED TO PROVIDE FURTHER LOAD CONNECTIONS.
7. BLOCKS SHOWN WITH DASHED (-----) LINES REPRESENTS AVAILABLE SPACE/SLOTS FOR ADDITIONAL POWER MODULES AND BATTERY UNITS.
8. UP TO SIX (6) ADDITIONAL EXTENSION BATTERY CABINETS CAN BE CONNECTED TO INCREASE THE RUNTIME FURTHER.
- △ 9. A SMALLER OUTPUT BREAKER MAY BE USED TO ALLOW CIRCUIT BREAKER COORDINATION, HOWEVER THIS MAY REDUCE THE MAXIMUM LOAD KVA SUPPORTED.

THIS DRAWING AND SPECIFICATIONS HEREIN ARE THE PROPERTY OF SCHNEIDER ELECTRIC AND SHALL NOT BE COPIED, REPRODUCED OR USED IN WHOLE OR IN PART, AS THE BASIS FOR THE MANUFACTURE OR SALE OF ITEMS WITHOUT WRITTEN PERMISSION FROM SCHNEIDER ELECTRIC. THIS DRAWING IS BASED UPON LATEST AVAILABLE INFORMATION AND IS SUBJECT TO CHANGE WITHOUT NOTICE.

Schneider Electric

TITLE: SYMMETRA LX 16kVA TOWER, XR
 INPUT: 220/230/240VAC (1PH+N+G) 50/60Hz
 OR 380/400/415VAC (3PH+N+G) 50/60Hz
 OUTPUT: 220/230/240VAC, 50/60Hz
 SYSTEM SINGLE-LINE DIAGRAM

DWG NO: SYA16K16IXR-SD REV. 2
 DRAWN: S GUNHA 13-JAN-11 PROJ.
 ENGINEER: K WHITE 13-JAN-11 ANGLE
 APPROVED: N WHITING 13-JAN-11 N/A

PROJECT: SUBMITTAL DRAWINGS SHEET 1 OF 2

Options

Hardware Options

Symmetra Battery Systems

| | |
|---|-------------|
| APC Symmetra LX Extended Run Rack-mount with 3 SYBT5, 230 V | SYARMXR3B3I |
| APC Symmetra LX Extended Run Rack-mount with 9 SYBT5, 230 V | SYARMXR9B9I |
| APC Symmetra LX Extended Run Tower with 9 SYBT5, 230 V | SYAXR9B9I |
| APC Symmetra 3 Battery Rack-mount XR Frame, 230 V | SYBFXR3RMI |
| APC Symmetra LX 9 Battery Tower XR Frame, 230 V | SYBFXR9I |
| APC Symmetra LX 9 Battery Rack-mount XR Frame, 230 V | SYBFXR9RMI |
| APC Symmetra LX Battery Module | SYBT5 |
| APC Symmetra LX Battery Module (with flame-retardant case) | SYBT5FR |

Symmetra Battery Cables

| | |
|---|----------|
| APC Symmetra LX basic battery cabinet cable | SYAOPT4 |
| APC Symmetra LX 4.5 m battery cabinet cable – 230 V | SYAOPT5I |
| APC Symmetra RM and LX 1.22 m (4 ft) extender battery cable for 220-240 V RM & LX XR battery cabinets | SYOPT4I |

Interface Cables

| | |
|--|----------|
| UPS Communications Cable Simple-Signaling | 940-0020 |
| UPS Communication Cable Smart-Signaling | 940-0024 |
| UPS Communications Cable Smart-Signaling 4.5 m/15 ft | AP9804 |
| 5 m /15 ft Extension Cable for use with UPS communications cable | AP9815 |
| UNIX Basic Signaling Cable | AP9823 |
| UPS Isolate Serial Extension Cable (15 m) | AP9825I |
| UPS Communication Cable for IBM AS/400 (Vendor-specific cable) | 940-0006 |
| Cisco Unity Express UPS Simple Signaling Cable (Vendor-specific cable) | AP9840 |

UPS Network Management Cards

| | |
|--|--------|
| UPS Network Management Card with Environmental Monitoring and Out-of-Band Management | AP9618 |
| UPS Network Management Card 2 | AP9630 |
| UPS Network Management Card 2 with Environmental Monitoring | AP9631 |

Additional Management Cards and Options

| | |
|---|-----------|
| SmartSlot Expansion Chassis | AP9600 |
| SmartSlot Triple Chassis Black | AP9604BLK |
| Relay I/O SmartSlot Card for dry contact management | AP9610 |
| Out-of-Band Management SmartSlot Card | AP9608 |

Rack-Mounting Hardware

| | |
|---|------------|
| Symmetra LX module CTO kit – UPS Frame | SYAOPT2 |
| Symmetra LX module CTO kit –XR3 Frame | SYAOPT2XR3 |
| Symmetra LX module CTO kit – XR9 Frame | SYAOPT2XR9 |
| Symmetra LX Four-Post Rack-Mounting Rails | SYAOPT1 |
| Symmetra LX/Symmetra RM Two-Post Rail Kit | SYOPT12 |

Maintenance Bypass Panels

| | |
|---|-------------|
| APC Service Bypass Panel – 200 V/208 V/240 V; 100 A; MBB; Hardwire input/output | SBP16KP |
| APC Service Bypass Panel –230 V; 100 A; MBB; Hardwire input; (3) 30 A Hardwire Output | SBP16KRMI4U |

Isolation Transformers

| | |
|---|------------|
| APC WW 10 kVA Isolation Transformer | APTF10KW01 |
| APC WW 20 kVA Isolation Transformer | APTF20KW01 |
| APC Smart-UPS RT 3000 VA 230 V Isolation Transformer (also an option for Symmetra LX) | SURT001 |
| APC Smart-UPS RT 5000 VA 230 V Isolation Transformer (also an option for Symmetra LX) | SURT002 |

Power Distribution Units

| | |
|---|---------|
| Rack PDU, Basic, Zero U, 16 A, 230 V, (20) C13, and (4) C19; IEC C20 | AP7552 |
| Rack PDU Extender, Basic, 2U, 32 A, 230 V, (4) IEC C19 | AP7585 |
| Rack PDU Extender, Basic, 2U, 32 A, 230 V, (4) IEC 309-32 | AP7586 |
| Rack PDU, Basic, 1U, 16 A, 208 V/230 V, (10) C13, and (2) C19 | AP9559 |
| Rack PDU, Basic, 1U, 16 A, 208 V/230 V, (12) C13 | AP9565 |
| Rack PDU, Basic, Zero U, 10 A, 230 V, (15) C13 | AP9568 |
| Rack PDU, Basic, Zero U, 16 A, 208 V/230 V, (15) C13 | AP9572 |
| Rack PDU, Basic, Zero U, 22 kW, 400 V, (6) C19 & (3) C13 | AP7555A |
| Rack PDU, Metered, 1 U, 12 A/208 V, 10 A/230 V, (8) C13 | AP7820 |
| RACK PDU, Metered, 2 U, 32 A, 230 V, (12) C13S and (4) C19 | AP7822 |
| Rack PDU, Metered, Zero U, 10 A, 230 V, (16) C13 | AP7850 |
| Rack PDU 2G, Metered, Zero U, 20 A/208 V, 16 A/230 V, (18) C13, and (2) C19 | AP8858 |
| Rack PDU, Switched, 1 U, 12 A/208 V, 10 A/230 V, (8) C13 | AP7920 |
| Rack PDU, Switched, 1 U, 16 A, 208 V/230 V, (8) C13 | AP7921 |
| Rack PDU, Switched, Zero U, 10 A, 230 V, (16) C13 | AP7950 |

Rack PDU 2G, Switched, Zero U, 20 A/208 V, 16 A/230 V, (7) C13 and (1) C19 AP8958

Rack PDU 2G, Switched, Zero U, 20 A/208 V, 16 A/230 V, (21) C13 and (3) C19 AP8959

Backplates and Panels

Symmetra RM 230 V Backplate kit with (2) IEC 320 C19 and (1) IEC 60309 SYPD10

Symmetra PDU Airflow Management Blanking Panel SYPD2

Symmetra RM 220-240 V Backplate Kit with (8) IEC 320 C13 and (2) IEC 320 C19 SYPD4

Symmetra RM 2-6 kVA 230 V Hardwire Kit SYPD9

SY RM PDU 4XC19 SYPD8

Rack-mount Transfer Switches

Rack ATS, 10 A/230 V, 12 A/208 V, C14 IN, (12) C13 OUT AP7721

Rack ATS, 20 A/208 V, 16 A/230 V, C20 IN, (8) C13 (1) C19 OUT AP7723

Power Modules for N+1 Redundancy

Symmetra LX 4 kVA Power Module, 220 V/230 V/240 V SYPM4KI

Parts and Accessories

Symmetra LX frame electronics module – 230 V SYAFSU13I

Symmetra LX Input/Output wiring tray – 230 V SYAFSU14I

Symmetra LX Communications Card SYAFSU15

Symmetra LX 13 U replacement door SYAFSU2

Symmetra LX 19 U replacement door SYAFSU3

Symmetra LX 32 U replacement door SYAFSU5

Symmetra LX Castor kit – left front, right rear SYAFSU6

Symmetra LX Castor kit – right front, left rear SYAFSU7

Symmetra LX top panel SYAFSU8

Symmetra LX 13 U left side panel SYAFSU9L

Symmetra LX 19 U left side panel SYAFSU10L

Symmetra LX 32 U left side panel SYAFSU12L

Symmetra LX 13 U right side panel SYAFSU9R

Symmetra LX 19 U right side panel SYAFSU10R

Symmetra LX 32U right side panel SYAFSU12R

Power Cords and Adapters

Power Cord Kit (6 each), Locking, C13 to C14 (90 Degree), 0.6 m AP8702R

Power Cord Kit (6 each), Locking, C13 to C14, 0.6 m AP8702S

Power Cord Kit (6 each), Locking, C13 to C14 (90 Degree), 1.2 m AP8704R

Power Cord Kit (6 each), Locking, C13 to C14, 1.2 m AP8704S

Power Cord Kit (6 each), Locking, C13 to C14 (90 Degree), 1.8 m AP8706R

| | |
|---|----------|
| Power Cord Kit (6 each), Locking, C13 to C14, 1.8 m | AP8706S |
| Power Cord Kit (6 each), Locking, C19 to C20 (90 Degree), 0.6 m | AP8712R |
| Power Cord Kit (6 each), Locking, C19 to C20, 0.6 m | AP8712S |
| Power Cord Kit (6 each), Locking, C19 to C20 (90 Degree), 1.2 m | AP8714R |
| Power Cord Kit (6 each), Locking, C19 to C20, 1.2 m | AP8714S |
| Power Cord Kit (6 each), Locking, C19 to C20 (90 Degree), 1.8 m | AP8716R |
| Power Cord Kit (6 each), Locking, C19 to C20, 1.8 m | AP8716S |
| Power Cord, Locking, C19 to C20, 3.0 m | AP8760 |
| Power Cord, C13 to C14, 2.5 m | AP9870 |
| Power Cord, C19 to C20, 2.0 m | AP9877 |
| Power Cord, C19 to C14, 2.0 m | AP9878 |
| Power Cord, C13 to C20, 2.0 m | AP9879 |
| Power Cord, C19 to C20, 4.5 m | AP9887 |
| Power Cord Kit (6 each), C19 to C20 (90 degree), 0.6 m | AP98892F |
| Power Cord Kit (6 each), C19 to C20 (90 degree), 1.2 m | AP98894F |
| Power Cord Kit (6 each), C19 to C20 (90 degree), 1.8 m | AP98896F |
| Power Cord Kit (5 each), C13 to C14, 0.6 m | AP9890 |
| Power Cord, C14 to CEE 7/7 Schuko, 0.6 m | AP9880 |
| Power Cord, C14 to BS1363 (UK), 0.6 m | AP9881 |
| Power Cord, Locking C19 to CEE/7 Schuko, 3.0 m | AP8755 |
| Power Cord, Locking C19 to BS1363A (UK), 3.0 m | AP8756 |
| Power Cord, Locking C19 to IEC 309 16 A, 3.0 m | AP8758 |
| Power Cord, Locking C19 to Rewireable, 3.0 m | AP8759 |
| Power Cord, C19 to CEE/7 Schuko, 2.5 m | AP9875 |
| Power Cord, C19 to IEC 309 16 A, 2.5 m | AP9876 |
| Power Cord, C19 to BS1363A (UK), 2.4 m | AP9895 |

Software Options

| | |
|---|--------|
| StruxureWare™ Central Basic | AP9465 |
| StruxureWare Central Standard | AP9470 |
| StruxureWare Central Enterprise | AP9475 |
| StruxureWare Central Standard Management Pack | AP9480 |
| StruxureWare Central Basic Management Pack | AP9482 |
| StruxureWare Central Enterprise Management Pack | AP9485 |



Note: All Symmetra LX Rack-Mount models are certified for use with StruxureWare management software certified

Limited Warranty

American Power Conversion (APC) warrants its products to be free from defects in materials and workmanship for a period of two years from the date of purchase, except in India where the period is one year for battery module(s). Its obligation under this warranty is limited to repairing or replacing, at its own sole option, any such defective products. To obtain service under warranty you must obtain a Returned Material Authorization (RMA) number from customer support (see Service in the *Symmetra LX Operations Manual*). Products must be returned with transportation charges prepaid and must be accompanied by a brief description of the problem encountered and proof of date and place of purchase. This warranty does not apply to equipment that has been damaged by accident, negligence, or misapplication or has been altered or modified in any way. This warranty applies only to the original purchaser who must have properly registered the product within 10 days of purchase.

EXCEPT AS PROVIDED HEREIN, AMERICAN POWER CONVERSION MAKES NO WARRANTIES, EXPRESSED OR IMPLIED, INCLUDING WARRANTIES OF MERCHANTABILITY AND FITNESS FOR A PARTICULAR PURPOSE. Some states do not permit limitation or exclusion of implied warranties; therefore, the aforesaid limitation(s) or exclusion(s) may not apply to the purchaser.

EXCEPT AS PROVIDED ABOVE, IN NO EVENT WILL APC BE LIABLE FOR DIRECT, INDIRECT, SPECIAL, INCIDENTAL, OR CONSEQUENTIAL DAMAGES ARISING OUT OF THE USE OF THIS PRODUCT, EVEN IF ADVISED OF THE POSSIBILITY OF SUCH DAMAGE. Specifically, APC is not liable for any costs, such as lost profits or revenue, loss of equipment, loss of use of equipment, loss of software, loss of data, costs of substitutes, claims by third parties, or otherwise. This warranty gives you specific legal rights and you may have other rights that vary from state to state.

Worldwide Customer Support

Customer support is available at no charge via e-mail or telephone. Contact information is available at www.apc.com/support/contact.

© APC by Schneider Electric. APC and the APC logo are owned by Schneider Electric Industries S.A.S., American Power Conversion Corporation, or their affiliated companies. All other trademarks are property of their respective owners.